



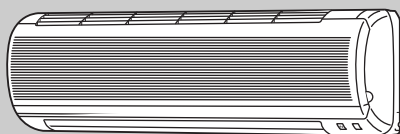
SPLIT-TYPE AIR CONDITIONERS

No. OB214

# SERVICE MANUAL

Wireless type  
Models

<b>MS-07NV II</b> - [E1] (WH)	▪	<b>MU-07NV</b> - [E2]
<b>MS-09NV II</b> - [E1] (WH)	▪	<b>MU-09NV</b> - [E2]
<b>MS-12NV II</b> - [E1] (WH)	▪	<b>MU-12NV</b> - [E2]



MS-09NV II - [E1]



## CONTENTS

1. TECHNICAL CHANGES .....	2
2. OUTLINES AND DIMENSIONS .....	2
3. PARTS LIST .....	3

NOTE: This Service Manual covers only change points. (MS-07/09/12NV-[E2] → MS-07/09/12NV II -[E1])  
 Please refer to the Service Manual OB206 for unchanged contents.  
 Please refer to the Service Manual OB206 for MU-07/09/12NV-[E2].

# 1 TECHNICAL CHANGES

## MS-07NV -E2 → MS-07NV II -E1

1. Indoor unit design has changed.
2. Refrigerant filling capacity(R-22) has changed. (0.65kg → 0.80kg)

## MS-09NV -E2 → MS-09NV II -E1

1. Indoor unit design has changed.
2. Refrigerant filling capacity(R-22) has changed. (0.9kg → 0.85kg)

## MS-12NV -E2 → MS-12NV II -E1

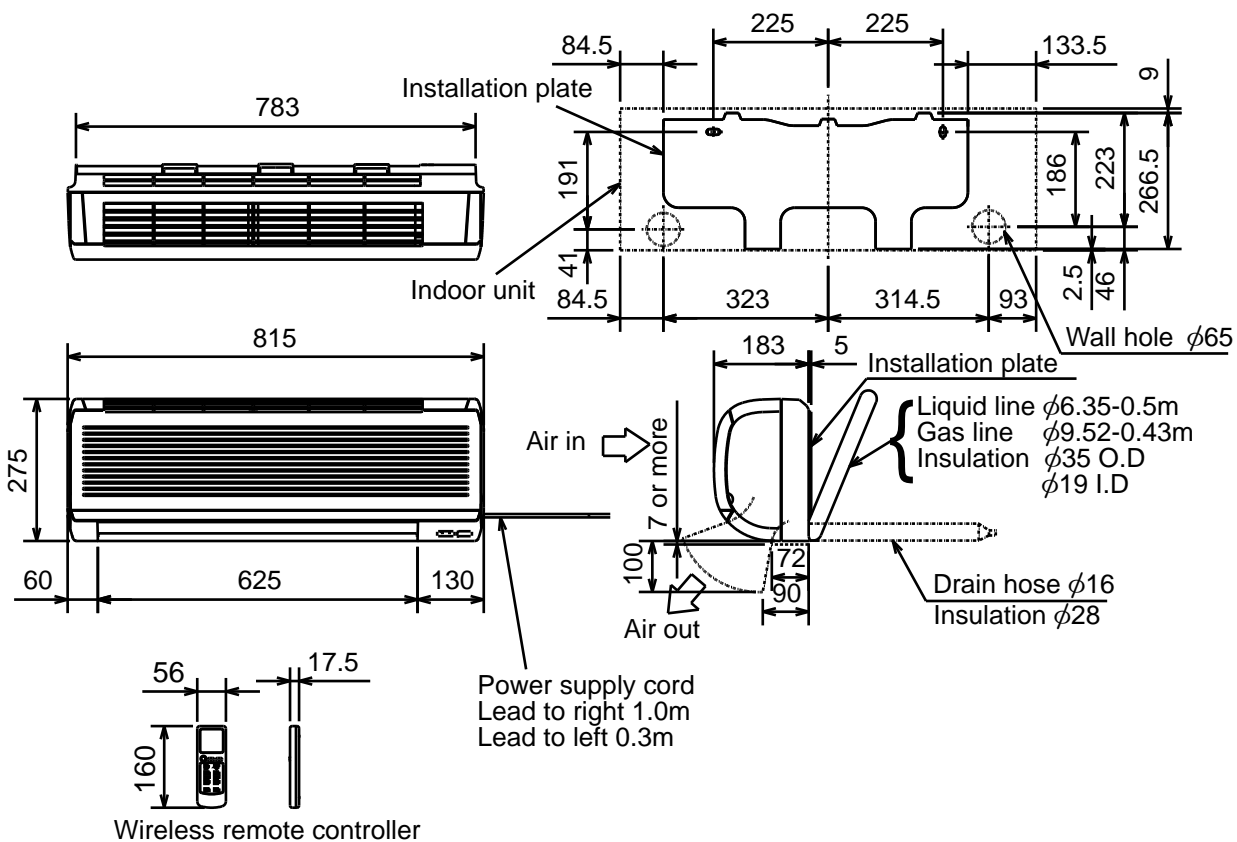
1. Indoor unit design has changed.

# 2 OUTLINES AND DIMENSIONS

## MS-07NV II -E1 MS-09NV II -E1 MS-12NV II -E1

### INDOOR UNIT

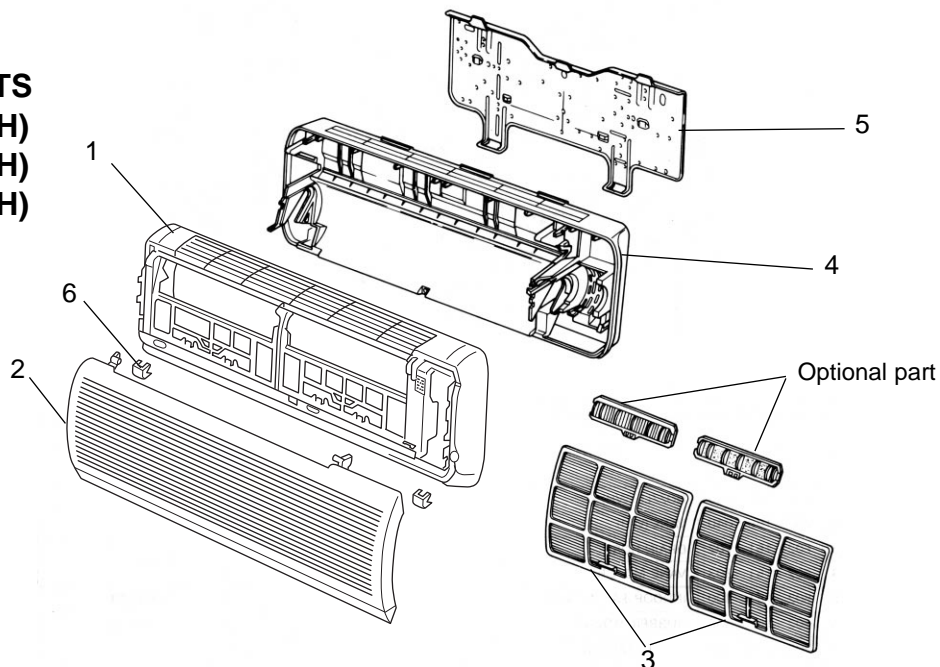
Unit : mm



# 3

# PARTS LIST

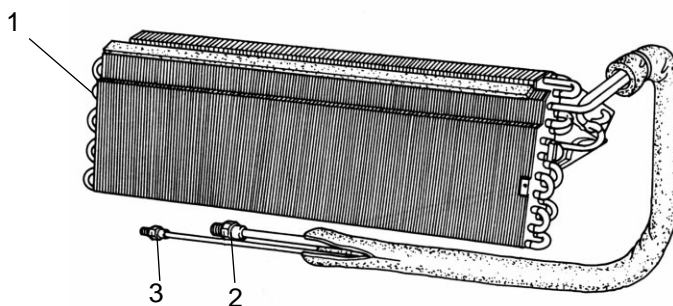
**INDOOR UNIT  
STRUCTURAL PARTS**  
**MS-07NV II -E1 (WH)**  
**MS-09NV II -E1 (WH)**  
**MS-12NV II -E1 (WH)**



※A set of FRONT PANEL and GRILLE of NV II series is compatible with that of NV series.

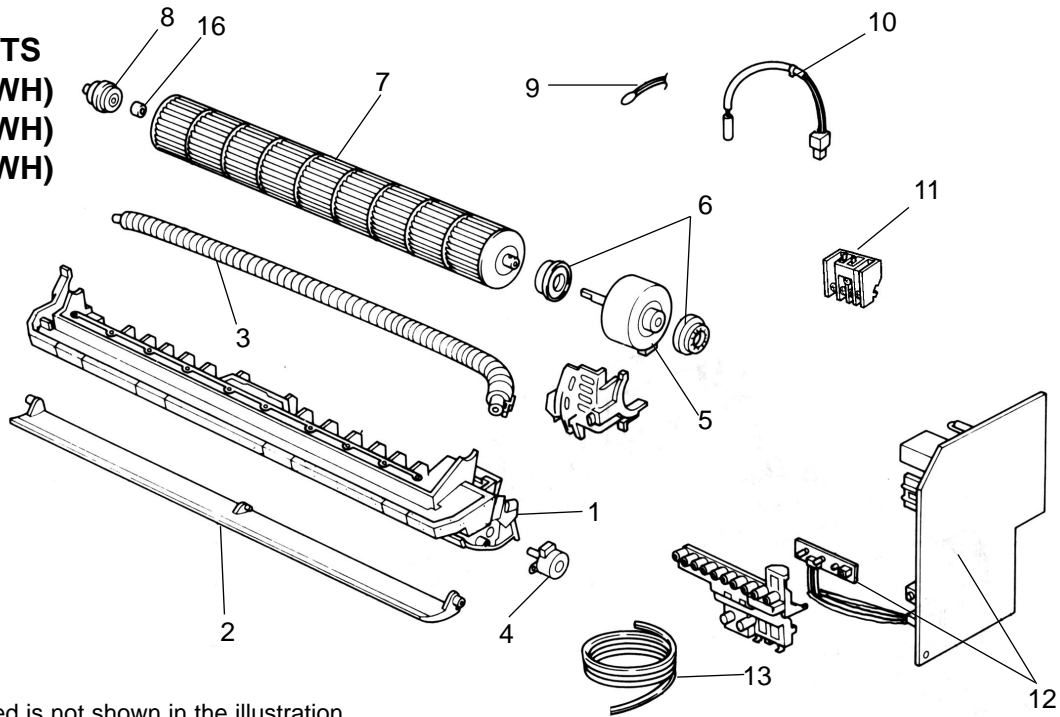
NO.	Part No.	Part Name	Symbol in Wiring Diagram	Q'ty/unit			Remarks
				MS-07NV II - E1 (WH)	MS-09NV II - E1 (WH)	MS-12NV II - E1 (WH)	
1	E02 343 000	FRONT PANEL(WH)		1			
	E02 344 000	FRONT PANEL(WH)			1		
	E02 345 000	FRONT PANEL(WH)				1	
2	E02 339 010	GRILLE(WH)		1	1	1	
3	E02 164 100	AIR FILTER		2	2	2	
4	E02 166 234	BOX(WH)		1	1	1	
5	E02 151 970	INSTALLATION PLATE		1	1	1	
6	E02 166 067	SCREW CAP(WH)		2	2	2	2PCS/SET

**INDOOR UNIT  
HEAT EXCHANGER**  
**MS-07NV II -E1 (WH)**  
**MS-09NV II -E1 (WH)**  
**MS-12NV II -E1 (WH)**



NO.	Part No.	Part Name	Symbol in Wiring Diagram	Q'ty/unit		Remarks
				MS-07/09NV II - E1 (WH)	MS-12NV II - E1 (WH)	
1	E02 151 620	INDOOR HEAT EXCHANGER		1		
	E02 155 620	INDOOR HEAT EXCHANGER			1	
2	E02 151 666	UNION(GAS)		1		φ9.52
	E02 155 666	UNION(GAS)			1	φ12.7
3	E02 151 667	UNION(LIQUID)		1	1	φ6.35

**INDOOR UNIT  
ELECTRICAL PARTS**  
MS-07NV II -E1 (WH)  
MS-09NV II -E1 (WH)  
MS-12NV II -E1 (WH)



Part number that are circled is not shown in the illustration.

NO.	Part No.	Part Name	Symbol in Wiring Diagram	Q'ty/unit			Remarks
				MS-07NV II - E1 (WH)	MS-09NV II - E1 (WH)	MS-12NV II - E1 (WH)	
1	E02 199 235	NOZZLE(WH)		1	1	1	
2	E02 166 040	VANE(WH)		1	1	1	
3	E02 141 702	DRAIN HOSE		1	1	1	
4	E02 151 303	VANE MOTOR	MV	1	1	1	
5	E02 151 300	INDOOR FAN MOTOR	MF	1	1	1	RC4V19 -□□
6	E02 151 505	RUBBER MOUNT		2	2	2	2PCS/SET
7	E02 151 302	LINE FLOW FAN		1	1	1	
8	E02 151 509	BEARING MOUNT		1	1	1	
9	E02 151 308	ROOM TEMPERATURE THERMISTOR	RT11	1	1	1	
10	E02 151 307	INDOOR COIL THERMISTOR	RT12	1	1	1	
11	E02 197 375	TERMINAL BLOCK	TB	1	1	1	
12	E02 202 452	ELECTRONIC CONTROL P.C.BOARD		1	1		AUTO RESTART
	E02 204 452	ELECTRONIC CONTROL P.C.BOARD				1	AUTO RESTART
13	E02 152 395	POWER SUPPLY CORD		1	1	1	
14	E02 127 382	FUSE	F11	1	1	1	3.15A
15	E02 085 385	VARISTOR	NR11	1	1	1	
16	E02 001 504	SLEEVE BEARING		1	1	1	
17	E02 151 468	RECEIVER		1	1	1	
18	E02 199 520	FAN GUARD		1	1	1	

**MITSUBISHI ELECTRIC CORPORATION**

HEAD OFFICE MITSUBISHI DENKI BLDG. MARUNOUCHI TOKYO100 TELEX J24532 CABLE MELCO TOKYO