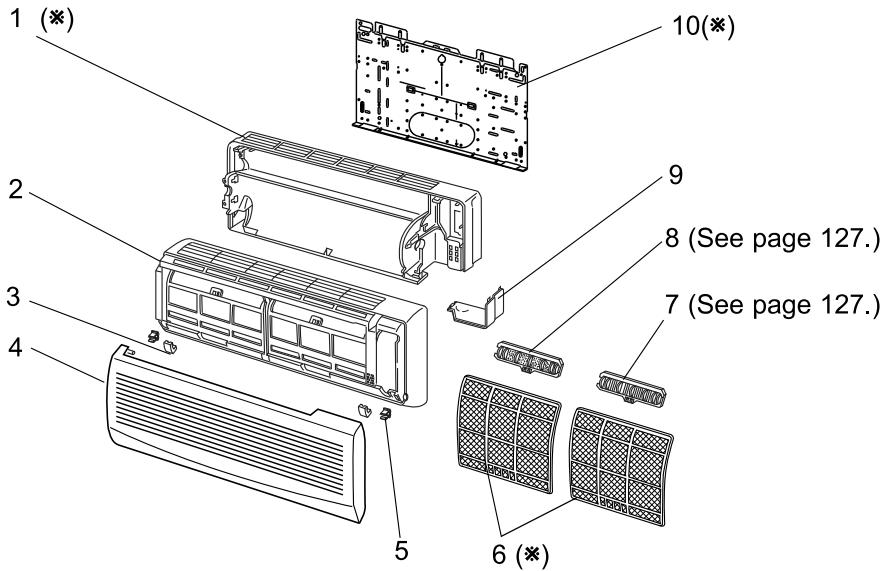
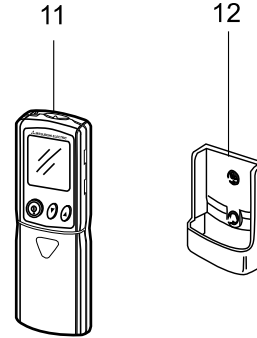


MSC-A07WV -E1 (WH)
 MSC-A09WV -E1 (WH)
 MSC-A12WV -E1 (WH)

14-1. INDOOR UNIT STRUCTURAL PARTS



14-2. ACCESSORY AND REMOTE CONTROLLER



(*) These figures show about MSC-A12WV.

14-1. INDOOR UNIT STRUCTURAL PARTS

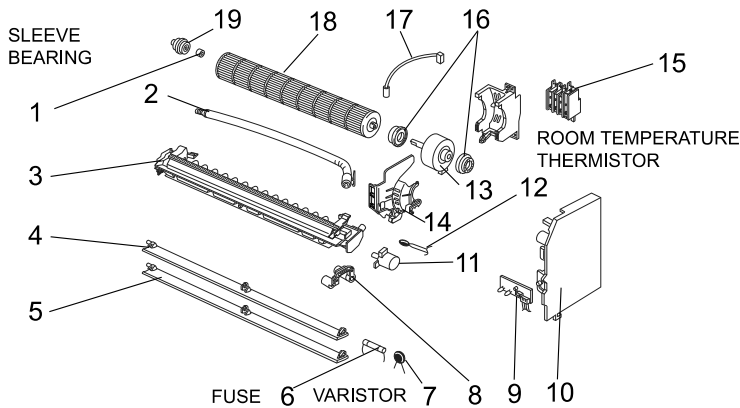
No.	Part No.	Part Name	Symbol in Wiring Diagram	Q'ty/unit			Remarks
				MSC-A07WV- E1 (WH)	MSC-A09WV- E1 (WH)	MSC-A12WV- E1 (WH)	
1	E02 749 234	BOX(WH)		1	1		
	E02 751 234	BOX(WH)				1	
2	E02 749 000	PANEL ASSEMBLY(WH)		1	1	1	Including No.3,4,5
3	E02 749 067	SCREW CAP(WH)		2	2	2	2PCS/SET
4	E02 749 010	FRONT PANEL(WH)		1	1	1	
5	E02 408 142	CATCH		2	2	2	2PCS/SET
	E02 749 100	AIR FILTER		2	2		
6	E02 751 100	AIR FILTER				2	
		AIR CLEANING FILTER		1	1	1	MAC-1300FT
8		DEODORIZING FILTER		1	1	1	MAC-1800DF
9	E02 749 975	CORNER BOX (RIGHT)		1	1	1	
10	E02 408 970	INSTALLATION PLATE		1	1		
	E02 751 970	INSTALLATION PLATE				1	

14-2. ACCESSORY AND REMOTE CONTROLLER

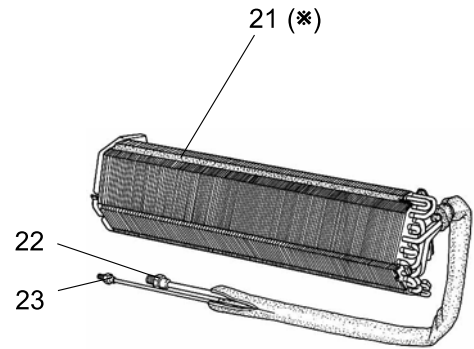
11	E02 749 426	REMOTE CONTROLLER		1	1	1	
12	E02 527 083	REMOTE CONTROLLER HOLDER		1	1	1	

MSC-A07WV -E1 (WH) MSC-A09WV -E1 (WH) MSC-A12WV -E1 (WH)

14-3. INDOOR UNIT ELECTRICAL PARTS AND FUNCTIONAL PARTS



14-4. INDOOR UNIT HEAT EXCHANGER



(*)These figures show about MSC-A12WV.

14-3. INDOOR UNIT ELECTRICAL PARTS AND FUNCTIONAL PARTS

Part number that is circled is not shown in the illustration.

No.	Part No.	Part Name	Symbol in Wiring Diagram	Q'ty/unit			Remarks
				MSC-A07WV- E1 (WH)	MSC-A09WV- E1 (WH)	MSC-A12WV- E1 (WH)	
1	E02 001 504	SLEEVE BEARING		1	1	1	
2	E02 661 702	DRAIN HOSE		1	1	1	
3	E02 749 235	NOZZLE ASSEMBLY(WH)		1	1	1	
4	E02 749 040	VANE UPPER (WH)		1	1	1	
5	E02 749 041	VANE LOWER (WH)		1	1	1	
6	E02 127 382	FUSE	F11	1	1	1	3.15A
7	E02 749 385	VARISTOR	NR11, NR12	2	2	2	
8	E02 763 034	VANE CRANK SET		1	1	1	
9	E02 749 468	POWER MONITOR, RECEIVER P.C. BOARD		1	1	1	
10	E02 749 452	ELECTRONIC CONTROL P.C.BOARD		1			AUTO RESTART
	E02 750 452	ELECTRONIC CONTROL P.C.BOARD			1		AUTO RESTART
	E02 751 452	ELECTRONIC CONTROL P.C.BOARD				1	AUTO RESTART
11	E02 749 303	VANE MOTOR	MV	1	1	1	
12	E02 151 308	ROOM TEMPERATURE THERMISTOR	RT11	1	1	1	
13	E02 749 300	INDOOR FAN MOTOR	MF	1	1		RC4V19-□□
	E02 751 300	INDOOR FAN MOTOR	MF			1	RC4V19-□□
14	E02 749 333	MOTOR BAND		1	1	1	
15	E02 691 375	TERMINAL BLOCK	TB	1	1	1	
16	E02 665 505	FAN MOTOR RUBBER MOUNT		2	2		2PCS/SET
	E02 151 505	FAN MOTOR RUBBER MOUNT				2	2PCS/SET
17	E02 749 307	INDOOR COIL THERMISTOR	RT12	1	1	1	
18	E02 749 302	LINE FLOW FAN		1	1	1	
19	E02 408 509	BEARING MOUNT		1	1		
	E02 751 509	BEARING MOUNT				1	
20	E02 408 381	THERMAL FUSE		1	1	1	

14-4. INDOOR UNIT HEAT EXCHANGER

21	E02 749 620	INDOOR HEAT EXCHANGER		1	1		
	E02 751 620	INDOOR HEAT EXCHANGER				1	
22	E02 151 666	UNION(GAS)		1	1		φ9.52
	E02 155 666	UNION(GAS)				1	φ12.7
23	E02 151 667	UNION(LIQUID)		1	1	1	φ6.35