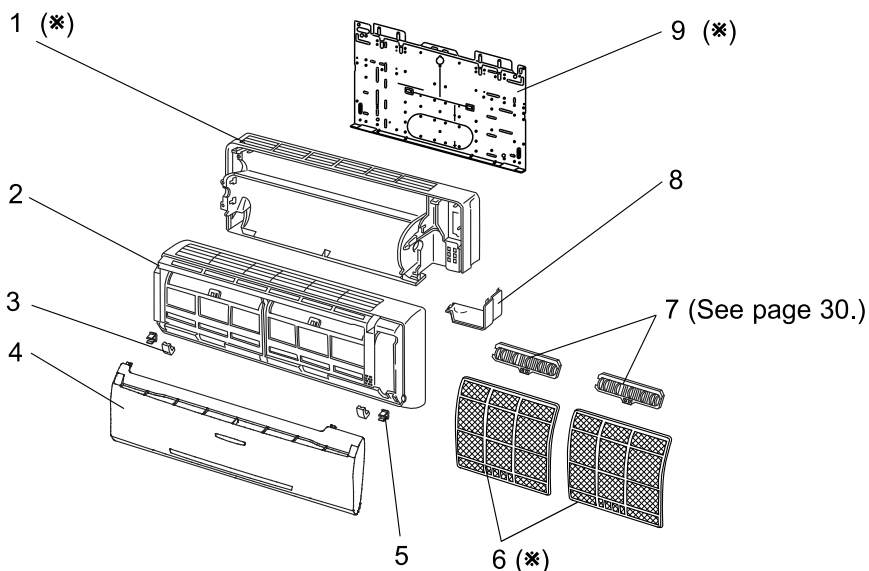


MSC-A07YV -E1 (WH)

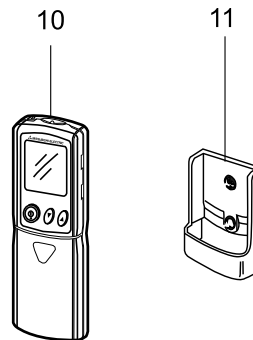
MSC-A09YV -E1 (WH)

MSC-A12YV -E1 (WH)

12-1. INDOOR UNIT STRUCTURAL PARTS



12-2. ACCESSORY AND REMOTE CONTROLLER



(*) These figures show about MSC-A12YV.

12-1. INDOOR UNIT STRUCTURAL PARTS

No.	Part No.	Part Name	Symbol in Wiring Diagram	Q'ty/unit			Remarks
				MSC-A07YV- E1 (WH)	MSC-A09YV- E1 (WH)	MSC-A12YV- E1 (WH)	
1	E02 749 234	BOX(WH)		1	1		
	E02 751 234	BOX(WH)				1	
2	E02 829 000	PANEL ASSEMBLY(WH)		1	1	1	Including No.3,4,5
3	E02 749 067	SCREW CAP(WH)		2	2	2	2PCS/SET
4	E02 829 010	FRONT PANEL(WH)		1	1	1	
5	E02 408 142	CATCH		2	2	2	2PCS/SET
6	E02 749 100	CATECHIN AIR FILTER		2	2		
	E02 751 100	CATECHIN AIR FILTER				2	
7		AIR CLEANING FILTER		2	2	2	MAC-1300FT
8	E02 749 975	CORNER BOX (RIGHT)		1	1	1	
9	E02 408 970	INSTALLATION PLATE		1	1		
	E02 751 970	INSTALLATION PLATE				1	

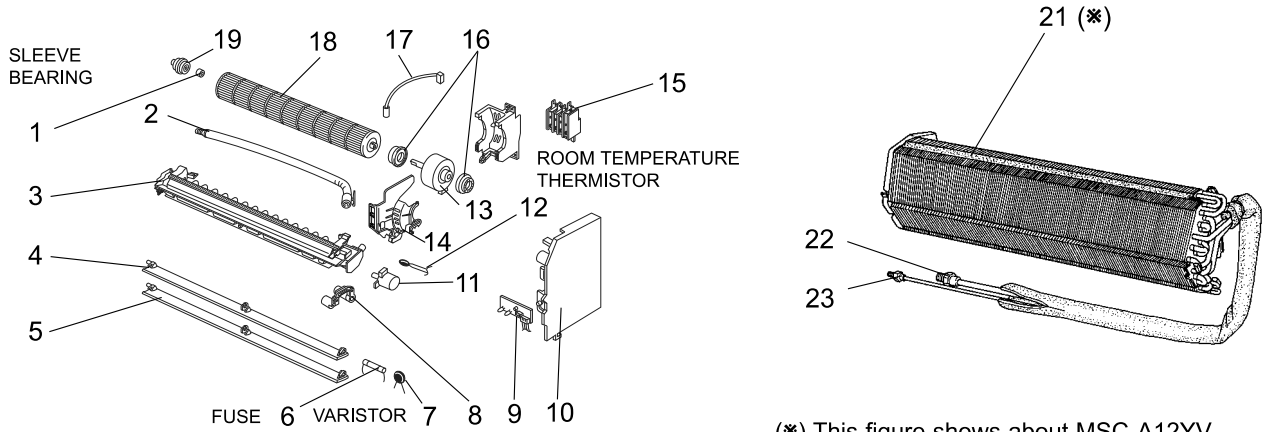
12-2. ACCESSORY AND REMOTE CONTROLLER

10	E02 749 426	REMOTE CONTROLLER		1	1	1	
11	E02 527 083	REMOTE CONTROLLER HOLDER		1	1	1	

MSC-A07YV -E1 (WH) MSC-A09YV -E1 (WH) MSC-A12YV -E1 (WH)

12-3. INDOOR UNIT ELECTRICAL PARTS AND FUNCTIONAL PARTS

12-4. INDOOR UNIT HEAT EXCHANGER



(*) This figure shows about MSC-A12YV.

12-3. INDOOR UNIT ELECTRICAL PARTS AND FUNCTIONAL PARTS

Part number that is circled is not shown in the illustration.

No.	Part No.	Part Name	Symbol in Wiring Diagram	Q'ty/unit			Remarks
				MSC-A07YV- E1 (WH)	MSC-A09YV- E1 (WH)	MSC-A12YV- E1 (WH)	
1	E02 001 504	SLEEVE BEARING		1	1	1	
2	E02 661 702	DRAIN HOSE		1	1	1	
3	E02 749 235	NOZZLE ASSEMBLY(WH)		1	1	1	
4	E02 749 040	VANE UPPER (WH)		1	1	1	
5	E02 749 041	VANE LOWER (WH)		1	1	1	
6	E02 127 382	FUSE	F11	1	1	1	3.15A
7	E02 829 385	VARISTOR	NR11	1	1	1	
8	E02 763 034	VANE CRANK SET		1	1	1	
9	E02 749 468	POWER MONITOR, RECEIVER P.C. BOARD		1	1	1	
10	E02 829 452	ELECTRONIC CONTROL P.C.BOARD		1			AUTO RESTART
	E02 830 452	ELECTRONIC CONTROL P.C.BOARD			1		AUTO RESTART
	E02 831 452	ELECTRONIC CONTROL P.C.BOARD				1	AUTO RESTART
11	E02 749 303	VANE MOTOR	MV	1	1	1	
12	E02 151 308	ROOM TEMPERATURE THERMISTOR	RT11	1	1	1	
13	E02 749 300	INDOOR FAN MOTOR	MF	1	1		RC4V19-□□
	E02 751 300	INDOOR FAN MOTOR	MF			1	RC4V19-□□
14	E02 749 333	MOTOR BAND		1	1	1	
15	E02 691 375	TERMINAL BLOCK	TB	1	1	1	
16	E02 665 505	FAN MOTOR RUBBER MOUNT		2	2		2PCS/SET
	E02 151 505	FAN MOTOR RUBBER MOUNT				2	2PCS/SET
17	E02 749 307	INDOOR COIL THERMISTOR	RT12	1	1	1	
18	E02 749 302	LINE FLOW FAN		1	1	1	
19	E02 408 509	BEARING MOUNT		1	1		
	E02 751 509	BEARING MOUNT				1	
20	E02 749 385	VARISTOR	NR12	1	1	1	

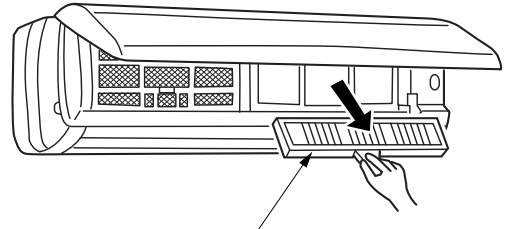
12-4. INDOOR UNIT HEAT EXCHANGER

21	E02 749 620	INDOOR HEAT EXCHANGER		1	1		
	E02 751 620	INDOOR HEAT EXCHANGER				1	
22	E02 151 666	UNION(GAS)		1	1		φ9.52
	E02 155 666	UNION(GAS)				1	φ12.7
23	E02 151 667	UNION(LIQUID)		1	1	1	φ6.35

12-5. AIR CLEANING FILTER

- AIR CLEANING FILTER removes fine dust of 0.01 micron from air by means of static electricity.
- Normal life of AIR CLEANING FILTER is 4 months. However, when it becomes dirty, replace it as soon as possible.
- Clogged AIR CLEANING FILTER may reduce the air conditioner capacity or cause frost on the air outlet.
- DO NOT reuse AIR CLEANING FILTER even if it is washed.
- DO NOT remove or attach AIR CLEANING FILTER during unit operation.

Model	Part No.
MSC-A07YV- <input type="checkbox"/> E1	MAC-1300FT
MSC-A09YV- <input type="checkbox"/> E1	
MSC-A12YV- <input type="checkbox"/> E1	



**Air cleaning filter
(White bellows type)**