

# 9

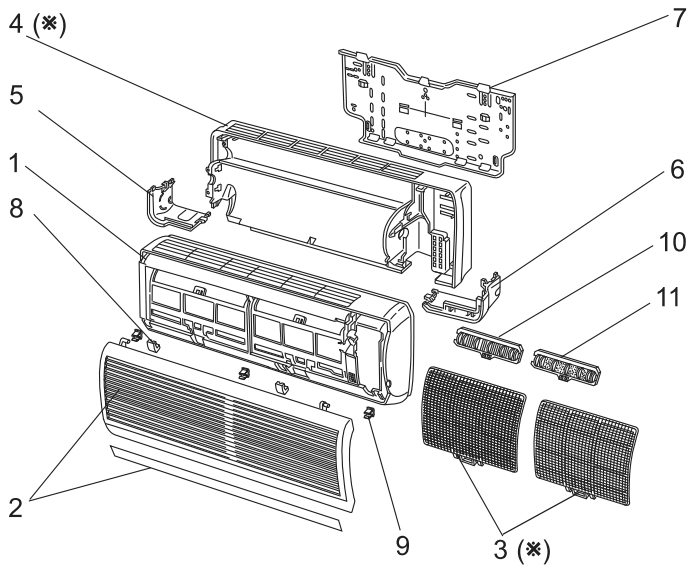
# PARTS LIST

MSC-C07SV -E1 (WH)

MSC-C09SV -E1 (WH)

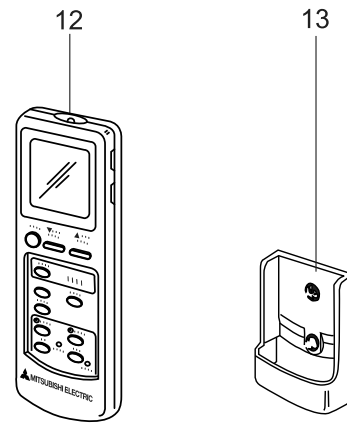
MSC-C12SV -E1 (WH)

## 9-1. INDOOR UNIT STRUCTURAL PARTS



(\*)These figures show about MSC-C12SV.

## 9-2. ACCESSORY PART AND REMOTE CONTROLLER



## 9-1. INDOOR UNIT STRUCTURAL PARTS

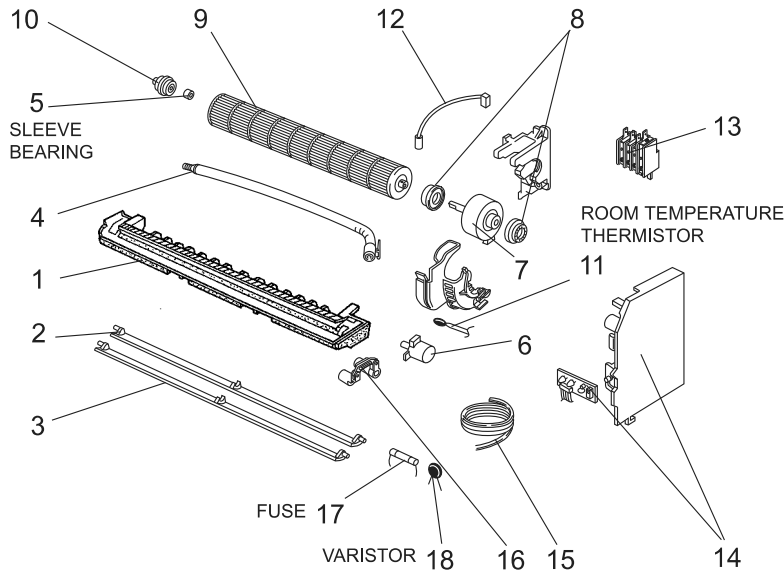
No.	Part No.	Part Name	Symbol in Wiring Diagram	Q'ty/unit			Remarks
				MSC-C07SV -E1 (WH)	MSC-C09SV -E1 (WH)	MSC-C12SV -E1 (WH)	
1	E02 424 000	FRONT PANEL(WH)		1	1	1	
2	E02 424 010	GRILLE(WH)		1	1	1	
3	E02 408 100	AIR FILTER		2	2		
	E02 410 100	AIR FILTER				2	
4	E02 409 234	BOX(WH)		1	1		
	E02 411 234	BOX(WH)				1	
5	E02 409 976	CORNER BOX (LEFT)(WH)		1	1	1	
6	E02 409 975	CORNER BOX (RIGHT)(WH)		1	1	1	
7	E02 408 970	INSTALLATION PLATE		1	1	1	
8	E02 409 067	SCREW CAP(WH)		2	2	2	2PCS/SET
9	E02 408 142	CATCH		3	3	3	3PCS/SET
10	—————	AIR CLEANING FILTER		1	1	1	MAC-1300FT
11	—————	DEODORIZING FILTER		1	1	1	MAC-1800DF

## 9-2. ACCESSORY PART AND REMOTE CONTROLLER

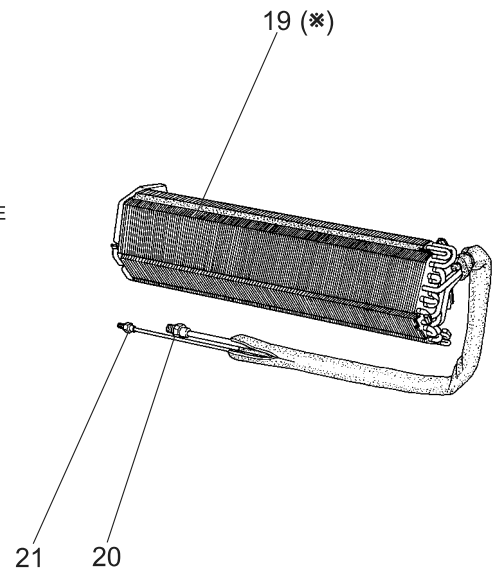
12	E02 430 426	REMOTE CONTROLLER		1	1	1	
13	E02 141 083	REMOTE CONTROLLER HOLDER		1	1	1	

MSC-C07SV -E1 (WH)  
 MSC-C09SV -E1 (WH)  
 MSC-C12SV -E1 (WH)

### 9-3. INDOOR UNIT FUNCTIONAL PARTS AND ELECTRICAL PARTS



### 9-4. INDOOR UNIT HEAT EXCHANGER



(\* )These figures show about MSC-C12SV.

### 9-3. INDOOR UNIT FUNCTIONAL PARTS AND ELECTRICAL PARTS

No.	Part No.	Part Name	Symbol in Wiring Diagram	Q'ty/unit			Remarks
				MSC-C07SV -E1 (WH)	MSC-C09SV -E1 (WH)	MSC-C12SV -E1 (WH)	
1	E02 409 235	NOZZLE (WH)		1	1	1	
2	E02 409 040	VANE UPPER (WH)		1	1	1	
3	E02 409 041	VANE LOWER (WH)		1	1	1	
4	E02 408 702	DRAIN HOSE		1	1	1	
5	E02 001 504	SLEEVE BEARING		1	1	1	
6	E02 408 303	VANE MOTOR	MV	1	1	1	
7	E02 151 300	INDOOR FAN MOTOR	MF	1	1	1	RC4V19-□□
8	E02 151 505	FAN MOTOR RUBBER MOUNT		2	2	2	2PCS/SET
9	E02 408 302	LINE FLOW FAN		1	1	1	
10	E02 408 509	BEARING MOUNT		1	1	1	
11	E02 408 308	ROOM TEMPERATURE THERMISTOR	RT11	1	1	1	
12	E02 408 307	INDOOR COIL THERMISTOR	RT12	1	1	1	
13	E02 424 375	TERMINAL BLOCK	TB	1	1	1	
14	E02 424 452	ELECTRONIC CONTROL P.C.BOARD		1			AUTO RESTART
	E02 425 452	ELECTRONIC CONTROL P.C.BOARD			1		AUTO RESTART
	E02 426 452	ELECTRONIC CONTROL P.C.BOARD				1	AUTO RESTART
15	E02 424 395	POWER SUPPLY CORD		1	1	1	
16	E02 408 034	VANE CLANK SET		1	1	1	
17	E02 127 382	FUSE	F11	1	1	1	3.15A
18	E02 336 385	VARISTOR	NR11	1	1	1	

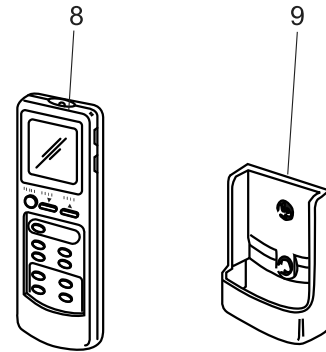
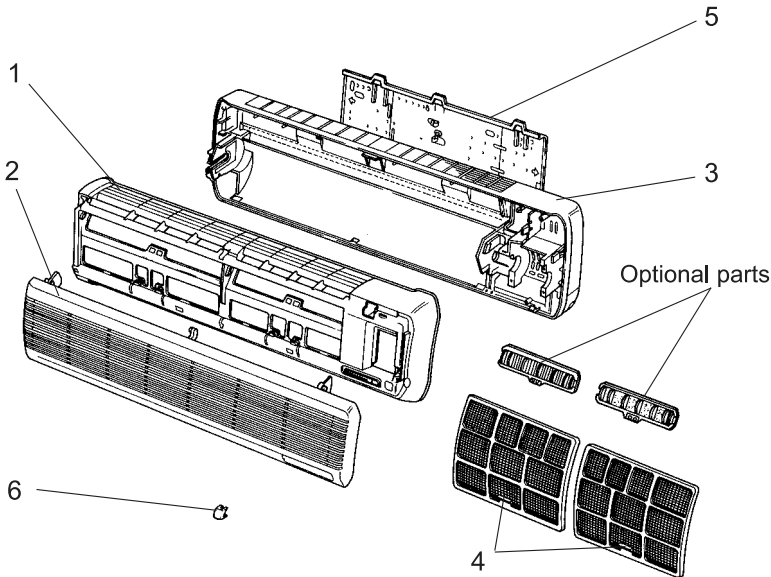
### 9-4. INDOOR UNIT HEAT EXCHANGER

19	E02 408 620	INDOOR HEAT EXCHANGER		1	1		
	E02 515 620	INDOOR HEAT EXCHANGER				1	
20	E02 151 666	UNION(GAS)		1	1		φ9.52
	E02 155 666	UNION(GAS)				1	φ12.7
21	E02 151 667	UNION(LIQUID)		1	1	1	φ6.35

**MSH-C18SV -E1 (WH)**

**9-8. INDOOR UNIT  
STRUCTURAL PARTS**

**9-9. ACCESSORY PART  
AND REMOTE CONTROLLER**



**9-8. INDOOR UNIT STRUCTURAL PARTS**

Part number that is circled is not shown in the illustration.

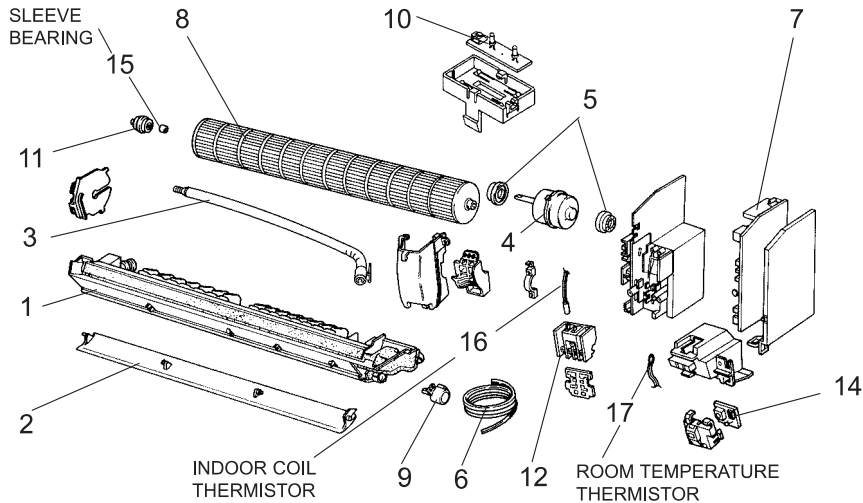
NO.	Part No.	Part Name	Symbol in Wiring Diagram	Q'ty/unit	Remarks
				MSH-C18SV-E1 (WH)	
1	E02 138 000	FRONT PANEL(WH)		1	
2	E02 138 010	GRILLE(WH)		1	
3	E02 143 234	BOX(WH)		1	
4	E02 141 100	AIR FILTER		2	
5	E02 141 970	INSTALLATION PLATE		1	
6	E02 143 067	SCREW CAP(WH)		3	3PCS/SET
⑦	E02 516 007	LAMP PANEL(WH)		1	

**9-9. ACCESSORY PART AND REMOTE CONTROLLER**

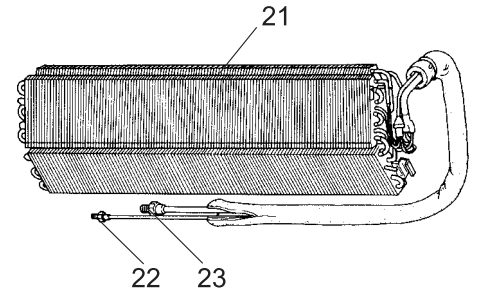
8	E02 139 426	REMOTE CONTROLLER		1	
9	E02 141 083	REMOTE CONTROLLER HOLDER		1	

## MSH-C18SV -E1 (WH)

### 9-10. INDOOR UNIT FUNCTIONAL PARTS AND ELECTRICAL PARTS



### 9-11. INDOOR UNIT HEAT EXCHANGER



### 9-10. INDOOR UNIT FUNCTIONAL PARTS AND ELECTRICAL PARTS

Part number that are circled are not shown in the illustration.

NO.	Part No.	Part Name	Symbol in Wiring Diagram	Q'ty/unit	Remarks
				MSH-C18SV- E1 (WH)	
1	E02 143 235	NOZZLE(WH)		1	
2	E02 143 040	VANE(WH)		1	
3	E02 408 702	DRAIN HOSE		1	
4	E02 141 300	INDOOR FAN MOTOR	MF	1	RA4V27 -□□
5	E02 001 505	FAN MOTOR RUBBER MOUNT		2	2PCS/SET
6	E02 138 395	POWER SUPPLY CORD		1	
7	E02 444 452	ELECTRONIC CONTROL P.C. BOARD		1	AUTO RESTART
8	E02 141 302	LINE FLOW FAN		1	
9	E02 141 303	VANE MOTOR	MV	1	
10	E02 138 329	DISPLAY P.C. BOARD		1	
11	E02 141 509	BEARING MOUNT		1	
12	E02 198 375	TERMINAL BLOCK	TB	1	
13	E02 336 385	VARISTOR	NR11	1	
14	E02 141 468	RECEIVER P. C. BOARD		1	
15	E02 001 504	SLEEVE BEARING		1	
16	E02 138 307	INDOOR COIL THERMISTOR	RT12	1	
17	E02 138 308	ROOM TEMPERATURE THERMISTOR	RT11	1	
18	E02 127 382	FUSE	F11	1	3.15A
19	E02 205 381	THERMAL FUSE	F12	1	93°C
20	E02 138 383	SURGE ABSORBER	DSAR	1	

### 9-11. INDOOR UNIT HEAT EXCHANGER

21	E02 141 620	INDOOR HEAT EXCHANGER		1	
22	E02 138 667	UNION(LIQUID)		1	φ6.35
23	E02 138 666	UNION(GAS)		1	φ15.88