



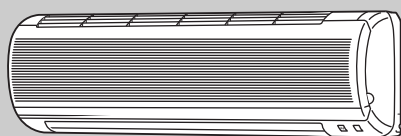
SPLIT-TYPE, HEAT PUMP AIR CONDITIONERS

No. OB215

SERVICE MANUAL

Wireless type
Models

MSH-07NV II - **E1** (WH) - **MUH-07NV** - **E2**
MSH-09NV II - **E1** (WH) - **MUH-09NV** - **E2**
MSH-12NV II - **E1** (WH) - **MUH-12NV** - **E2**

MSH-09NV II - **E1**

CONTENTS

1. TECHNICAL CHANGES	2
2. OUTLINES AND DIMENSIONS	2
3. PARTS LIST	3

NOTE: This Service Manual covers only change points. (MSH-07/09/12NV-**E2** → MSH-07/09/12NV II -**E1**)

Please refer to the Service Manual OB207 for unchanged contents.

Please refer to the Service Manual OB207 for MUH-07/09/12NV-**E2**.

Please refer to the Service Manual OB185 REVISED EDITION A when MSH-07/09/12NV II -**E1** are connected with MXZ-32NV-**E1** / **E2** as multi system units.

1

TECHNICAL CHANGES

MSH-07NV -[E2]→MSH-07NV II -[E1]

1. Indoor unit design has changed.

MSH-09NV -[E2]→MSH-09NV II -[E1]

1. Indoor unit design has changed.

MSH-12NV -[E2]→MSH-12NV II -[E1]

1. Indoor unit design has changed.

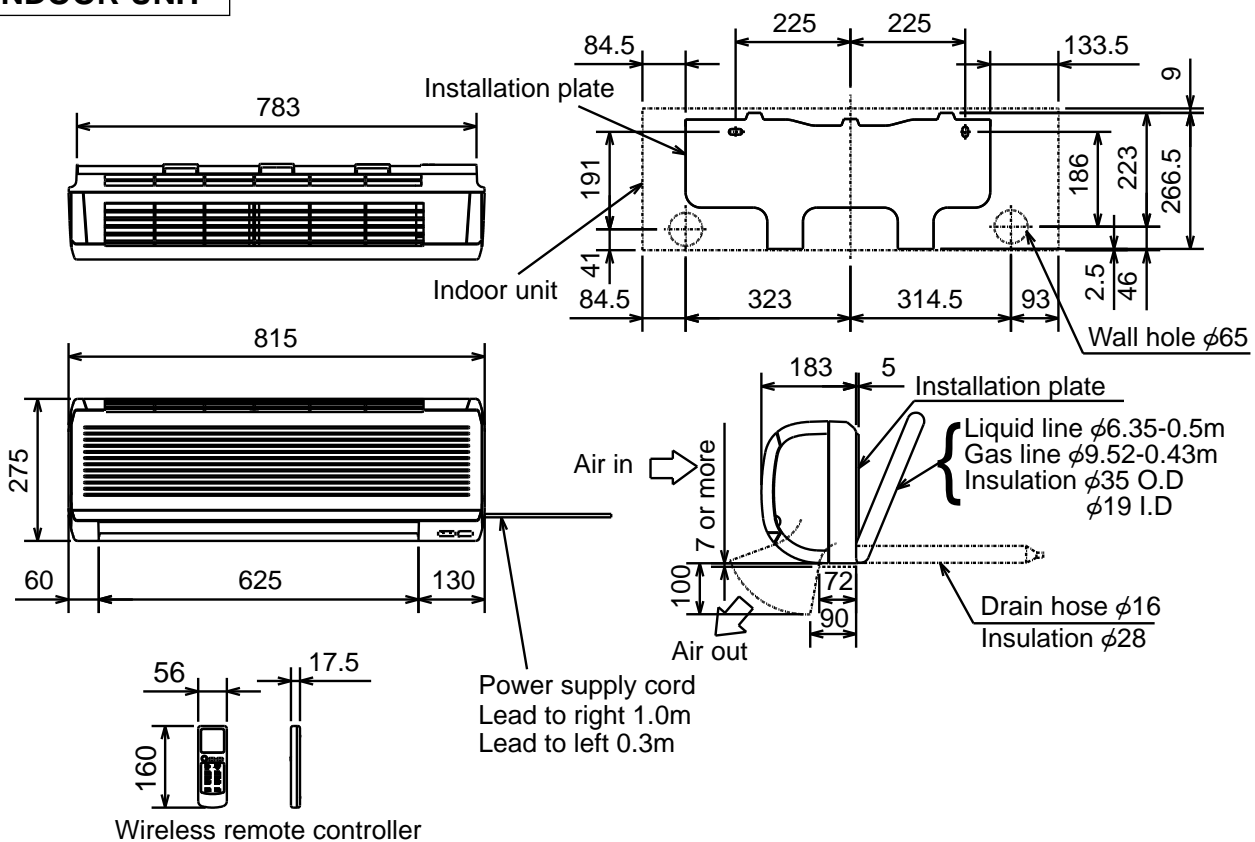
2

OUTLINES AND DIMENSIONS

Unit: mm

MSH-07NV II -[E1] MSH-09NV II -[E1] MSH-12NV II -[E1]

INDOOR UNIT



3

PARTS LIST

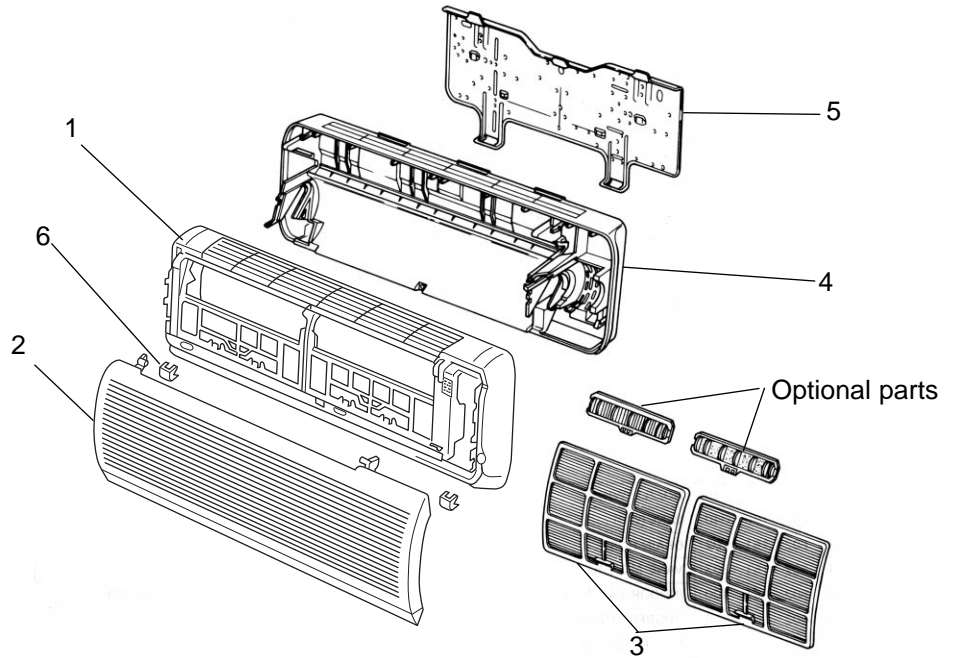
INDOOR UNIT

STRUCTURAL PARTS

MSH-07NV II -E1 (WH)

MSH-09NV II -E1 (WH)

MSH-12NV II -E1 (WH)



*A set of FRONT PANEL and GRILLE of NV II series is compatible with that of NV series.

NO.	Part No.	Part Name	Symbol in Wiring Diagram	Q'ty/unit			Remarks
				MSH-07NV II -E1 (WH)	MSH-09NV II -E1 (WH)	MSH-12NV II -E1 (WH)	
1	E02 346 000	FRONT PANEL(WH)		1			
	E02 347 000	FRONT PANEL(WH)			1		
	E02 348 000	FRONT PANEL(WH)				1	
2	E02 339 010	GRILLE(WH)		1	1	1	
3	E02 164 100	AIR FILTER		2	2	2	
4	E02 166 234	BOX(WH)		1	1	1	
5	E02 151 970	INSTALLATION PLATE		1	1	1	
6	E02 166 067	SCREW CAP(WH)		2	2	2	2PCS/SET

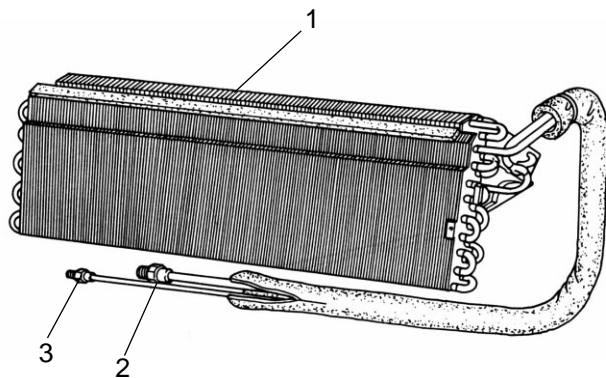
INDOOR UNIT

HEAT EXCHANGER

MSH-07NV II -E1 (WH)

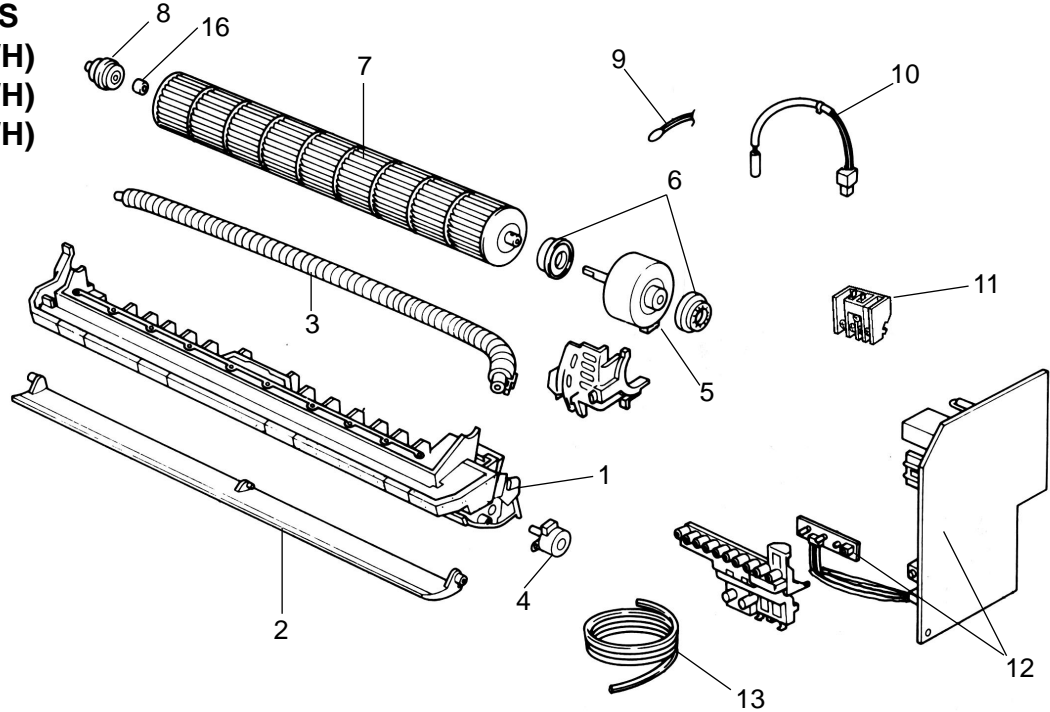
MSH-09NV II -E1 (WH)

MSH-12NV II -E1 (WH)



NO.	Part No.	Part Name	Symbol in Wiring Diagram	Q'ty/unit		Remarks
				MSH-07/09NV II -E1 (WH)	MSH-12NV II -E1 (WH)	
1	E02 151 620	INDOOR HEAT EXCHANGER		1		
	E02 155 620	INDOOR HEAT EXCHANGER			1	
2	E02 151 666	UNION(GAS)		1		φ9.52
	E02 155 666	UNION(GAS)			1	φ12.7
3	E02 151 667	UNION(LIQUID)		1	1	φ6.35

**INDOOR UNIT
ELECTRICAL PARTS**
MSH-07NV II -E1 (WH)
MSH-09NV II -E1 (WH)
MSH-12NV II -E1 (WH)



Part number that are circled is not shown in the illustration.

NO.	Part No.	Part Name	Symbol in Wiring Diagram	Q'ty/unit			Remarks
				MSH-07NV II -E1 (WH)	MSH-09NV II -E1 (WH)	MSH-12NV II -E1 (WH)	
1	E02 199 235	NOZZLE(WH)		1	1	1	
2	E02 166 040	VANE(WH)		1	1	1	
3	E02 141 702	DRAIN HOSE		1	1	1	
4	E02 151 303	VANE MOTOR	MV	1	1	1	
5	E02 151 300	INDOOR FAN MOTOR	MF	1	1	1	RC4V19 - □□
6	E02 151 505	RUBBER MOUNT		2	2	2	2PCS/SET
7	E02 151 302	LINE FLOW FAN		1	1	1	
8	E02 151 509	BEARING MOUNT		1	1	1	
9	E02 151 308	ROOM TEMPERATURE THERMISTOR	RT11	1	1	1	
10	E02 151 307	INDOOR COIL THERMISTOR	RT12	1	1	1	
11	E02 198 375	TERMINAL BLOCK	TB	1	1	1	
12	E02 199 452	ELECTRONIC CONTROL P.C.BOARD		1			AUTO RESTART
	E02 200 452	ELECTRONIC CONTROL P.C.BOARD			1		AUTO RESTART
	E02 201 452	ELECTRONIC CONTROL P.C.BOARD				1	AUTO RESTART
13	E02 152 395	POWER SUPPLY CORD		1	1	1	
⑭	E02 127 382	FUSE	F11	1	1	1	3.15A
⑮	E02 085 385	VARISTOR	NR11	1	1	1	
16	E02 001 504	SLEEVE BEARING		1	1	1	
⑰	E02 151 468	RECEIVER		1	1	1	
⑱	E02 199 520	FAN GUARD		1	1	1	

MITSUBISHI ELECTRIC CORPORATION
HEAD OFFICE MITSUBISHI DENKI BLDG.MARUNOUCHI TOKYO100 TELEX J24532 CABLE MELCO TOKYO