

INDOOR UNIT

PARTS CATALOG

No. OBB589

Models

MSZ-EF22VEW - E1 **MSZ-EF25VEW** - E1 **MSZ-EF35VEW** - E1

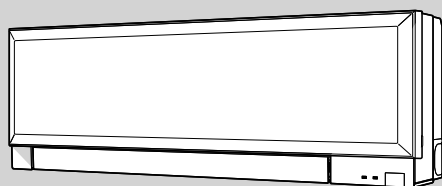
MSZ-EF42VEW - E1 **MSZ-EF50VEW** - E1

MSZ-EF22VEB - E1 **MSZ-EF25VEB** - E1 **MSZ-EF35VEB** - E1

MSZ-EF42VEB - E1 **MSZ-EF50VEB** - E1

MSZ-EF22VES - E1 **MSZ-EF25VES** - E1 **MSZ-EF35VES** - E1

MSZ-EF42VES - E1 **MSZ-EF50VES** - E1



CONTENTS

- | | |
|-------------------------|---|
| 1. RoHS PARTS LIST..... | 2 |
| 2. OPTIONAL PARTS..... | 7 |

SERVICE MANUAL (OBH589)

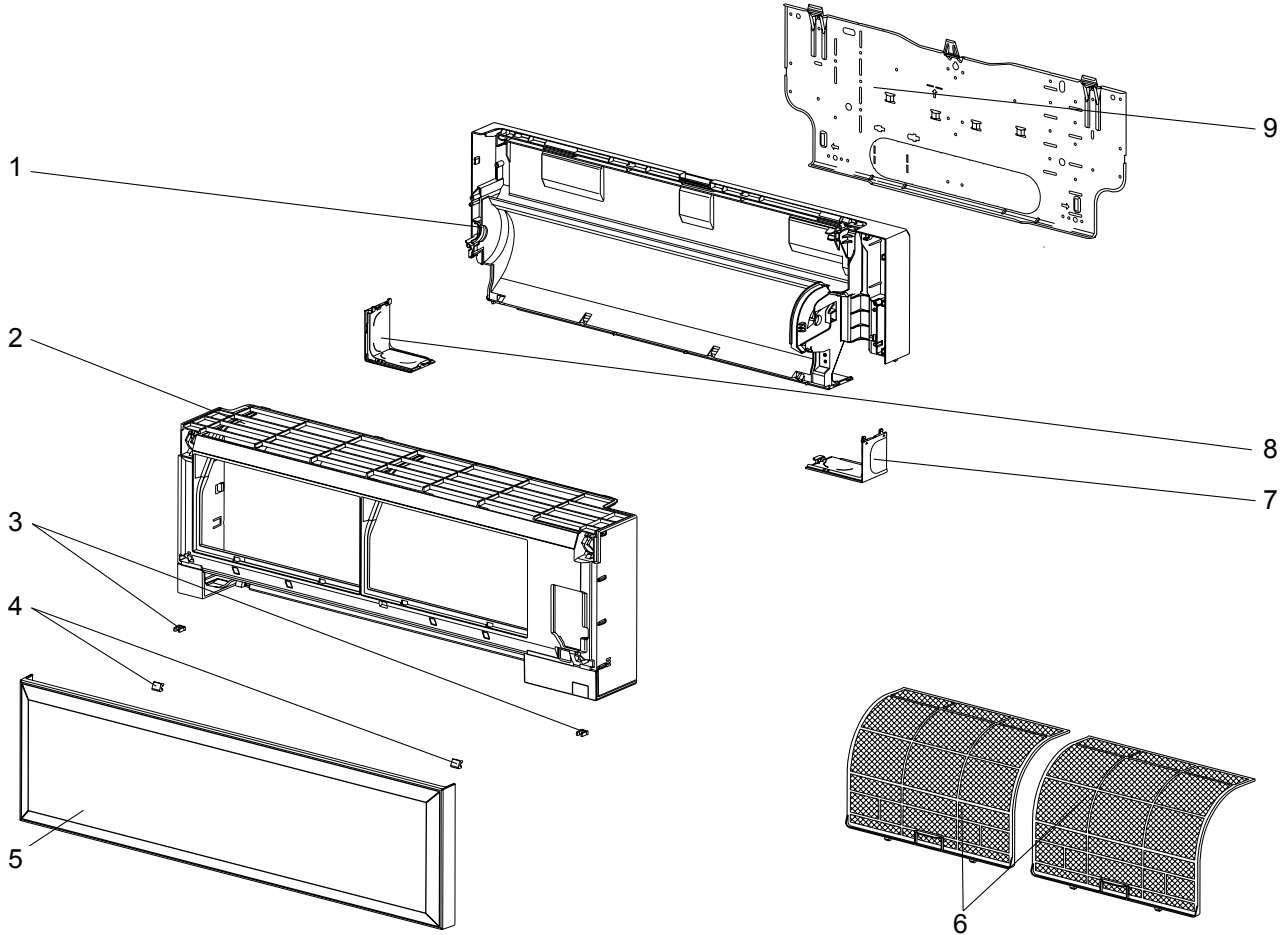
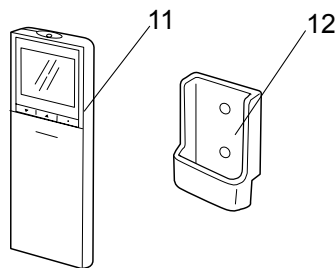
NOTE:

RoHS compliant products have <G> mark on the spec name plate.



1**RoHS PARTS LIST**

MSZ-EF22VEW MSZ-EF25VEW MSZ-EF35VEW MSZ-EF42VEW MSZ-EF50VEW
MSZ-EF22VEB MSZ-EF25VEB MSZ-EF35VEB MSZ-EF42VEB MSZ-EF50VEB
MSZ-EF22VES MSZ-EF25VES MSZ-EF35VES MSZ-EF42VES MSZ-EF50VES

1-1. INDOOR UNIT STRUCTURAL PARTS**1-2. ACCESSORY AND REMOTE CONTROLLER**



1-1. INDOOR UNIT STRUCTURAL PARTS

Part numbers that is circled is not shown in the illustration.

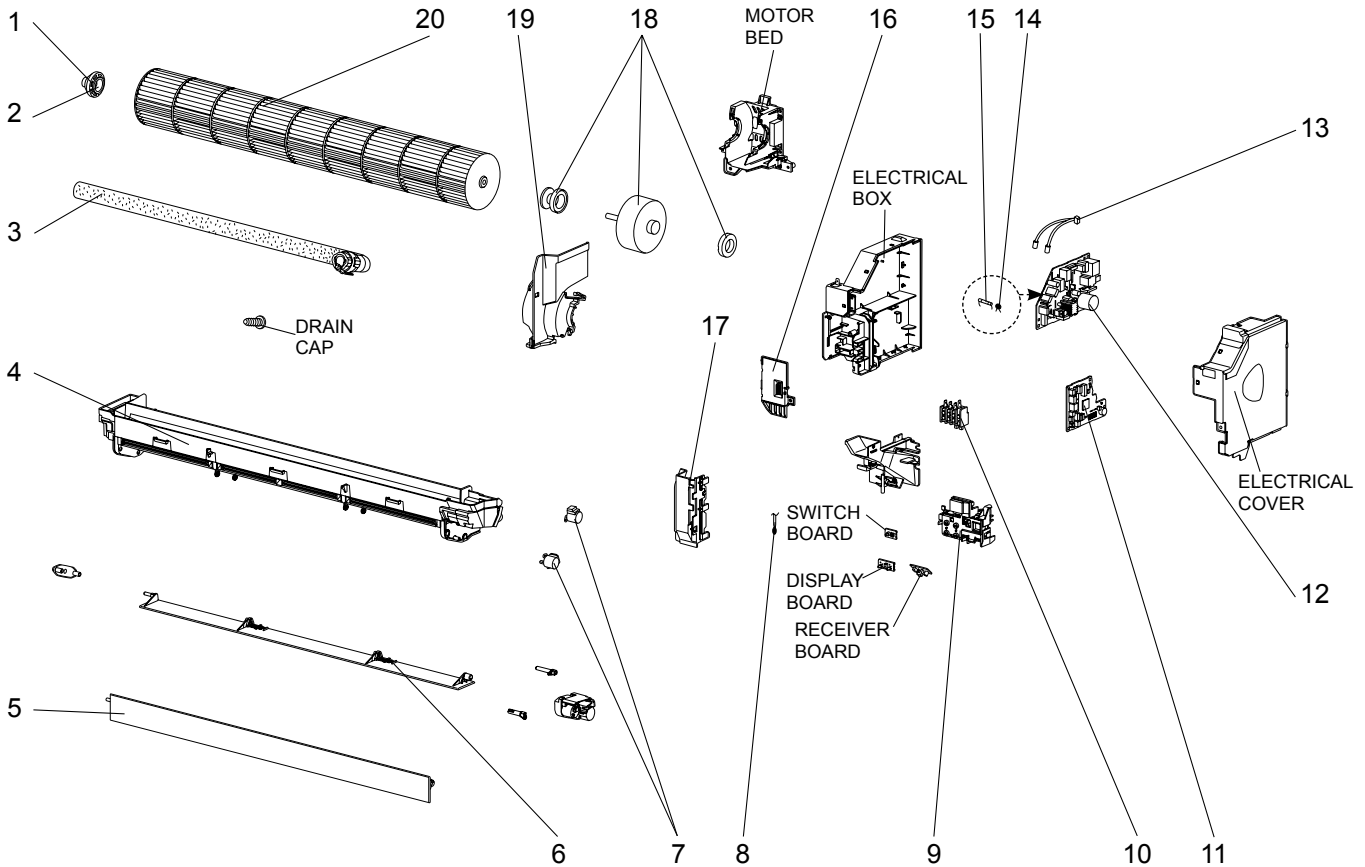
No.	RoHS	Part No.	Part name	Symbol in Wiring Diagram	Q'ty/unit															Remarks
					MSZ-EF															
					22			25			35			42			50			
VEW	VEB	VES	VEW	VEB	VES	VEW	VEB	VES	VEW	VEB	VES	VEW	VEB	VES						
-E1	-E1	-E1	-E1	-E1	-E1	-E1	-E1	-E1	-E1	-E1	-E1	-E1	-E1	-E1						
1	G	E12 F95 234	BOX ASSEMBLY		1		1		1		1		1		1					
	G	E12 G21 234			1		1		1		1		1		1					
	G	E12 G26 234				1		1		1		1		1		1				
2	G	E12 F95 000	PANEL ASSEMBLY		1		1		1		1		1		1			Including No. 3,4,5		
	G	E12 G21 000			1		1		1		1		1		1			Including No. 3,4,5		
	G	E12 G26 000				1		1		1		1		1		1			Including No. 3,4,5	
3	G	E12 F95 142	CATCH		2	2	2	2	2	2	2	2	2	2	2	2	2	2 PCS/SET		
4	G	E12 F95 067	SCREW CAP		2		2		2		2		2		2			2 PCS/SET		
	G	E12 G21 067			2		2		2		2		2		2			2 PCS/SET		
	G	E12 G26 067				2		2		2		2		2		2			2 PCS/SET	
5	G	E12 F95 010	FRONT PANEL		1		1		1		1		1		1					
	G	E12 G21 010			1		1		1		1		1		1					
	G	E12 G26 010				1		1		1		1		1		1				
6	G	E12 F95 100	NANO PLATINUM FILTER		2	2	2	2	2	2	2	2	2	2	2	2	2	1 PC/SET		
7	G	E12 F95 975	CORNER BOX RIGHT		1		1		1		1		1		1					
	G	E12 G21 975			1		1		1		1		1		1					
	G	E12 G26 975				1		1		1		1		1		1				
8	G	E12 F95 976	CORNER BOX LEFT		1		1		1		1		1		1					
	G	E12 G21 976			1		1		1		1		1		1					
	G	E12 G26 976				1		1		1		1		1		1				
9	G	E12 F95 970	INSTALLATION PLATE		1	1	1	1	1	1	1	1	1	1	1	1	1			
⑩	G	—	SOFT DRY CLOTH		1		1		1		1		1		1			MAC-1001CL-E		

1-2. ACCESSORY AND REMOTE CONTROLLER

11	G	E12 F95 426	REMOTE CONTROLLER		1	1	1	1	1	1	1	1	1	1	1	1	1	SG11D
12	G	E12 F28 083	REMOTE CONTROLLER HOLDER		1	1	1	1	1	1	1	1	1	1	1	1	1	

**MSZ-EF22VEW MSZ-EF25VEW MSZ-EF35VEW MSZ-EF42VEW MSZ-EF50VEW
 MSZ-EF22VEB MSZ-EF25VEB MSZ-EF35VEB MSZ-EF42VEB MSZ-EF50VEB
 MSZ-EF22VES MSZ-EF25VES MSZ-EF35VES MSZ-EF42VES MSZ-EF50VES**

1-3. INDOOR UNIT ELECTRICAL PARTS AND FUNCTIONAL PARTS



1-3. INDOOR UNIT ELECTRICAL PARTS AND FUNCTIONAL PARTS

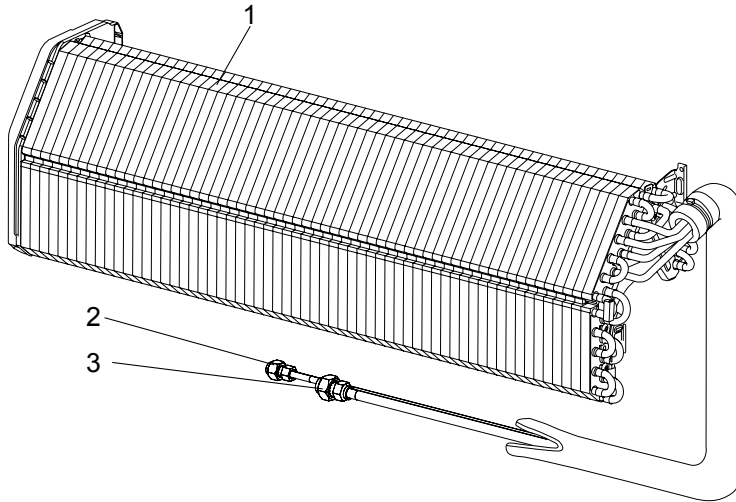
No.	RoHS	Part No.	Part name	Symbol in Wiring Diagram	Q'ty/unit															Remarks		
					MSZ-EF																	
					22			25			35			42			50					
VEW	VEB	VES	VEW	VEB	VES	VEW	VEB	VES	VEW	VEB	VES	VEW	VEB	VES								
-E1	-E1	-E1	-E1	-E1	-E1	-E1	-E1	-E1	-E1	-E1	-E1	-E1	-E1	-E1								
1	G	E12 751 509	BEARING MOUNT		1	1	1	1	1	1	1	1	1	1	1	1	1	1				
2	G	E12 001 504	SLEEVE BEARING		1	1	1	1	1	1	1	1	1	1	1	1	1	1				
3	G	E12 897 702	DRAIN HOSE		1	1	1	1	1	1	1	1	1	1	1	1	1	1				
4	G	E12 F95 235	NOZZLE ASSEMBLY		1			1			1			1			1					
	G	E12 G21 235				1			1			1			1			1				
	G	E12 G26 235					1			1			1			1			1			
5	G	E12 F95 040	VANE UPPER		1			1			1			1			1					
	G	E12 G21 040				1			1			1			1			1				
	G	E12 G26 040					1			1			1			1			1			
6	G	E12 F95 041	VANE LOWER		1			1			1			1			1					
	G	E12 G21 041				1			1			1			1			1				
	G	E12 G26 041					1			1			1			1			1			
7	G	E12 A89 303	VANE MOTOR	MV	2	2	2	2	2	2	2	2	2	2	2	2	2	2	2	UP & DOWN, 1 PC/SET		
8	G	E12 F95 308	ROOM TEMPERATURE THERMISTOR	RT11	1	1	1	1	1	1	1	1	1	1	1	1	1	1	1			
9	G	E12 F95 095	DISPLAY P.C. BOARD HOLDER		1	1	1	1	1	1	1	1	1	1	1	1	1	1	1			
10	G	E12 F95 375	TERMINAL BLOCK	TB	1	1	1	1	1	1	1	1	1	1	1	1	1	1	1			
11	G	E12 F95 452	ELECTRONIC CONTROL P.C. BOARD ※1		1	1	1															
	G	E12 F96 452					1	1	1													
	G	E12 F97 452								1	1	1										
	G	E12 F98 452											1	1	1							
	G	E12 F99 452														1	1	1				
12	G	E12 F98 440	POWER P.C. BOARD		1	1	1	1	1	1	1	1	1	1	1	1	1	1	1			
13	G	E12 F95 307	INDOOR COIL THERMISTOR	RT12,RT13	1	1	1	1	1	1	1	1	1	1	1	1	1	1	1			
14	G	E12 B75 385	VARISTOR	NR11	1	1	1	1	1	1	1	1	1	1	1	1	1	1	1			
15	G	E12 A49 382	FUSE	F11	1	1	1	1	1	1	1	1	1	1	1	1	1	1	1	T3.15AL250V		
16	G	E12 F95 784	V.A. CLAMP		1	1	1	1	1	1	1	1	1	1	1	1	1	1	1			
17	G	E12 F95 541	WATER CUT		1	1	1	1	1	1	1	1	1	1	1	1	1	1	1			
18	G	E12 F95 300	INDOOR FAN MOTOR ※2	MF	1	1	1	1	1	1	1	1	1	1	1	1	1	1	1	RC0J40-□□		
19	G	E12 F95 333	MOTOR BAND		1	1	1	1	1	1	1	1	1	1	1	1	1	1	1			
20	G	E12 F95 302	LINE FLOW FAN		1	1	1	1	1	1	1	1	1	1	1	1	1	1	1			

※1 Including RECEIVER BOARD, DISPLAY BOARD and SWITCH BOARD.

※2 Including FAN MOTOR RUBBER MOUNT (2 PCS/SET)

MSZ-EF22VEW MSZ-EF25VEW MSZ-EF35VEW MSZ-EF42VEW MSZ-EF50VEW
 MSZ-EF22VEB MSZ-EF25VEB MSZ-EF35VEB MSZ-EF42VEB MSZ-EF50VEB
 MSZ-EF22VES MSZ-EF25VES MSZ-EF35VES MSZ-EF42VES MSZ-EF50VES

1-4. INDOOR UNIT HEAT EXCHANGER



No.	RoHS	Part No.	Part name	Symbol in Wiring Diagram	Q'ty/unit															Remarks
					MSZ-EF															
					22			25			35			42			50			
VEW	VEB	VES	VEW	VEB	VES	VEW	VEB	VES	VEW	VEB	VES	VEW	VEB	VES						
1	G	E12 F95 620	INDOOR HEAT EXCHANGER		1	1	1	1	1	1	1	1	1	1	1	1				
	G	E12 F99 620												1	1	1				
2	G	E12 151 667	UNION (LIQUID)		1	1	1	1	1	1	1	1	1	1	1	1	1	1	1	ø6.35
3	G	E12 815 666	UNION (GAS)		1	1	1	1	1	1	1	1	1	1	1	1				
	G	E12 155 666												1	1	1	ø12.7			

2

OPTIONAL PARTS

2-1. AIR CLEANING FILTER (ELECTROSTATIC ANTI-ALLERGY ENZYME FILTER, OPERATION)

Every 3 months:

- Remove dirt by a vacuum cleaner.

When dirt cannot be removed by vacuum cleaning:

- Soak the filter and its frame in lukewarm water before rinsing it.
- After washing, dry it well in shade. Install all tabs of the air filter.

Every year:

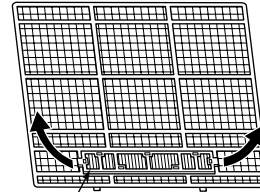
- Replace it with a new air cleaning filter for best performance.

NOTE 1: Clean the filters regularly for best performance and to reduce power consumption.

NOTE 2: Dirty filters cause condensation in the air conditioner which will contribute to the growth of fungi such as mold. It is therefore recommended to clean air filters every 2 weeks.

Model	Part No.
MSZ-EF22VEW	MAC-2320FT
MSZ-EF22VEB	
MSZ-EF22VES	
MSZ-EF25VEW	
MSZ-EF25VEB	
MSZ-EF25VES	
MSZ-EF35VEW	
MSZ-EF35VEB	
MSZ-EF35VES	
MSZ-EF42VEW	
MSZ-EF42VEB	
MSZ-EF42VES	
MSZ-EF50VEW	
MSZ-EF50VEB	
MSZ-EF50VES	

Pull to remove from the air filter



Air cleaning filter
(Electrostatic anti-allergy enzyme filter)

2-2. SOFT DRY CLOTH

- Clean the panel with the soft dry cloth when it is dirty.

Model	Part No.
MSZ-EF22VEW	MAC-1001CL-E
MSZ-EF22VES	
MSZ-EF25VEW	
MSZ-EF25VES	
MSZ-EF35VEW	
MSZ-EF35VES	
MSZ-EF42VEW	
MSZ-EF42VES	
MSZ-EF50VEW	
MSZ-EF50VES	

