

# 11

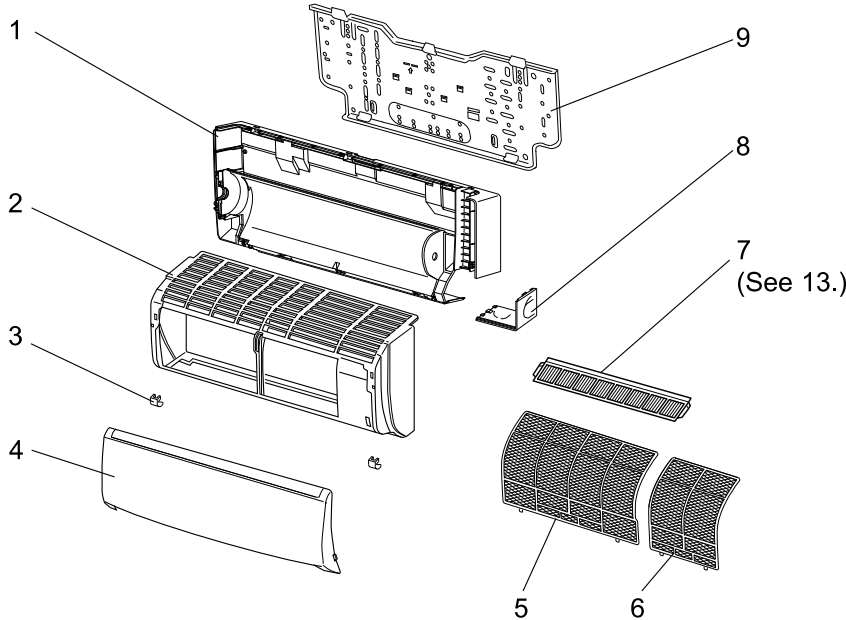
## PARTS LIST (non-RoHS compliant)

MSZ-GA22VA

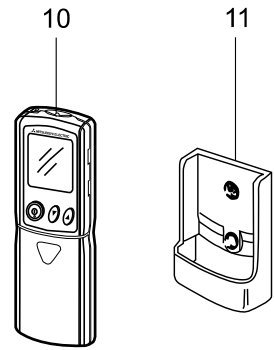
MSZ-GA25VA

MSZ-GA35VA

### 11-1. INDOOR UNIT STRUCTURAL PARTS



### 11-2. ACCESSORY AND REMOTE CONTROLLER



### 11-1. INDOOR UNIT STRUCTURAL PARTS

No.	Part No.	Part name	Symbol in Wiring Diagram	Q'ty/unit						Remarks
				MSZ-GA22VA-		MSZ-GA25VA-		MSZ-GA35VA-		
				E1	E2	E1	E2	E1	E2	
1	E02 897 234	BOX		1		1		1		
	E02 A32 234	BOX			1		1		1	
2	E02 915 000	PANEL ASSEMBLY		1	1	1	1	1	1	Including No.3,4
3	E02 913 067	SCREW CAP		2	2	2	2	2	2	2PCS/SET
4	E02 915 010	FRONT PANEL		1	1	1	1	1	1	
5	E02 915 100	CATECHIN AIR FILTER (LEFT)		1	1	1	1	1	1	
6	E02 916 100	CATECHIN AIR FILTER (RIGHT)		1	1	1	1	1	1	
7	—————	AIR CLEANING FILTER		1	1	1	1	1	1	MAC-415FT-E
8	E02 913 975	CORNER BOX (RIGHT)		1		1		1		
	E02 A32 975	CORNER BOX (RIGHT)			1		1		1	
9	E02 913 970	INSTALLATION PLATE		1	1	1	1	1	1	

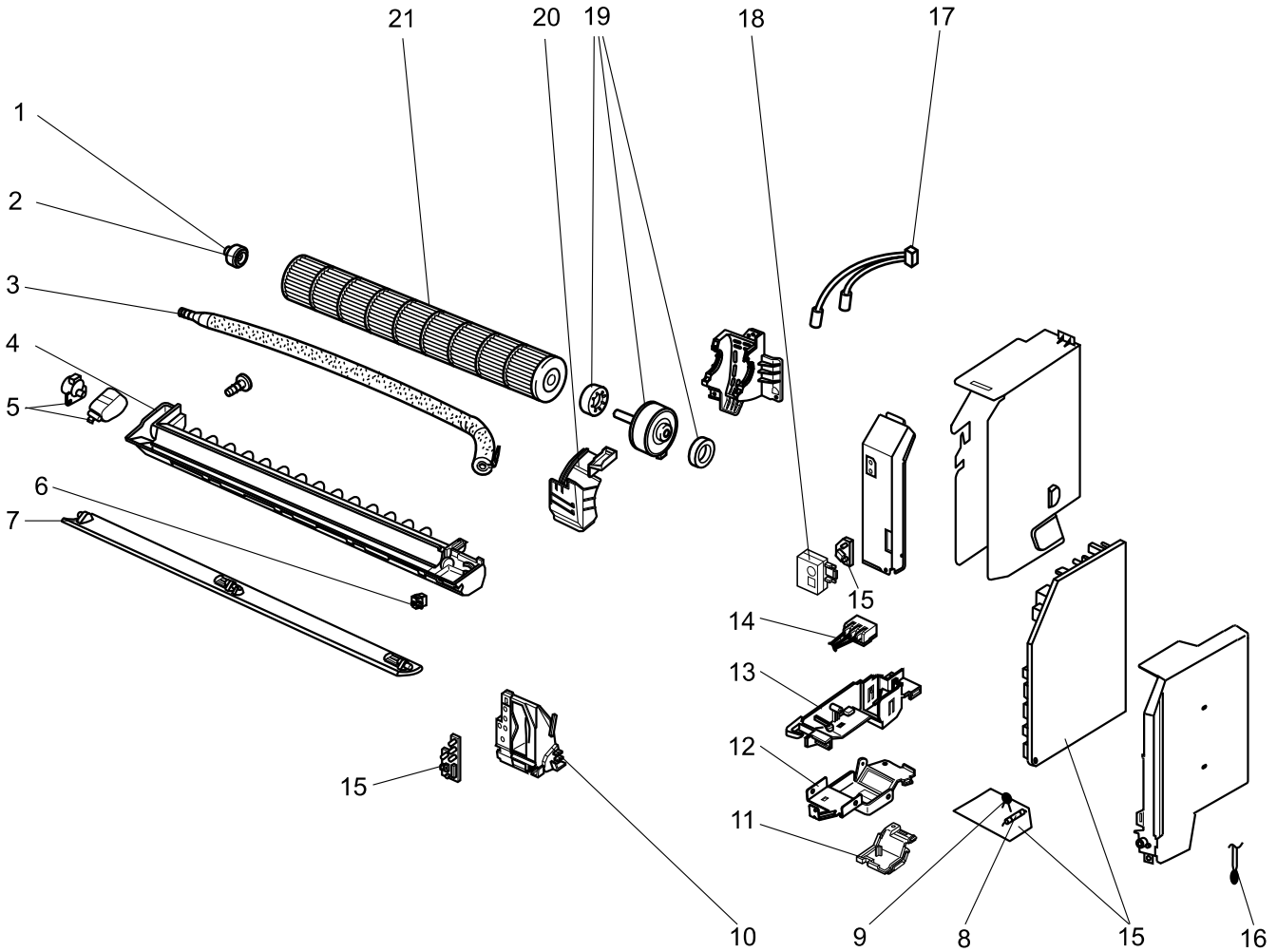
### 11-2. ACCESSORY AND REMOTE CONTROLLER

10	E02 915 426	REMOTE CONTROLLER		1	1	1	1	1	1	1	KM05B
11	E02 527 083	REMOTE CONTROLLER HOLDER		1	1	1	1	1	1	1	

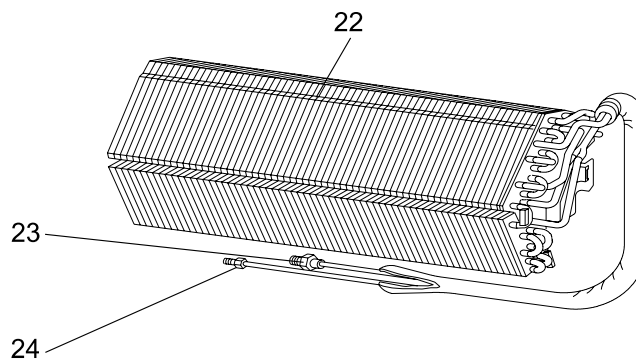
# PARTS LIST (non-RoHS compliant)

MSZ-GA22VA  
MSZ-GA25VA  
MSZ-GA35VA

## 11-3. INDOOR UNIT ELECTRICAL PARTS AND FUNCTIONAL PARTS



## 11-4. INDOOR UNIT HEAT EXCHANGER



# PARTS LIST (non-RoHS compliant)

## 11-3. INDOOR UNIT ELECTRICAL PARTS AND FUNCTIONAL PARTS

No.	Part No.	Part name	Symbol in Wiring Diagram	Q'ty/unit						Remarks
				MSZ-GA22VA-		MSZ-GA25VA-		MSZ-GA35VA-		
				E1	E2	E1	E2	E1	E2	
1	E02 751 509	BEARING MOUNT		1	1	1	1	1	1	
2	E02 001 504	SLEEVE BEARING		1	1	1	1	1	1	
3	E02 897 702	DRAIN HOSE		1	1	1	1	1	1	
4	E02 915 235	NOZZLE ASSEMBLY		1	1	1	1	1	1	
5	E02 897 303	VANE MOTOR UNIT (HORIZONTAL)	MV	1	1	1	1	1	1	UP & DOWN
6	E02 897 316	INTERLOCK SWITCH(FAN)		1	1	1	1	1	1	
7	E02 913 040	HORIZONTAL VANE		1	1	1	1	1	1	
8	E02 127 382	FUSE	F11	1		1		1		T3.15AL250V
	E02 A49 382	FUSE	F11		1		1		1	T3.15AL250V
9	E02 661 385	VARISTOR	NR11	1	1	1	1	1	1	
10	E02 915 095	POWER MONITOR RECEIVER P.C. BOARD HOLDER		1	1	1	1	1	1	
11	E02 897 784	V.A. CLAMP		1	1	1	1	1	1	
12	E02 897 780	TERMINAL BLOCK COVER		1	1	1	1	1	1	
13	E02 897 779	TERMINAL BLOCK HOLDER		1	1	1	1	1	1	
14	E02 913 375	TERMINAL BLOCK	TB	1	1	1	1	1	1	
15	E02 915 452	ELECTRONIC CONTROL P.C. BOARD *1		1	1					AUTO RESTART
	E02 916 452	ELECTRONIC CONTROL P.C. BOARD *1				1	1			AUTO RESTART
	E02 917 452	ELECTRONIC CONTROL P.C. BOARD *1						1	1	AUTO RESTART
16	E02 897 308	ROOM TEMPERATURE THERMISTOR	RT11	1	1	1	1	1	1	
17	E02 913 307	INDOOR COIL THERMISTOR	RT12, RT13	1	1	1	1	1	1	
18	E02 915 782	SWITCH HOLDER		1	1	1	1	1	1	
19	E02 915 300	INDOOR FAN MOTOR *2	MF	1	1	1	1	1	1	RC0J30- □ □
20	E02 897 333	MOTOR BAND		1	1	1	1	1	1	
21	E02 897 302	LINE FLOW FAN		1	1	1	1	1	1	

\*1 Including SW P.C. BOARD and POWER MONITOR RECEIVER P.C. BOARD

\*2 Including FAN MOTOR RUBBER MOUNT (2 PCS/SET)

## 11-4. INDOOR UNIT HEAT EXCHANGER

22	E02 913 620	INDOOR HEAT EXCHANGER		1	1	1	1	1	1	
23	E02 815 666	UNION (GAS)		1	1	1	1	1	1	φ9.52
24	E02 151 667	UNION (LIQUID)		1	1	1	1	1	1	φ6.35

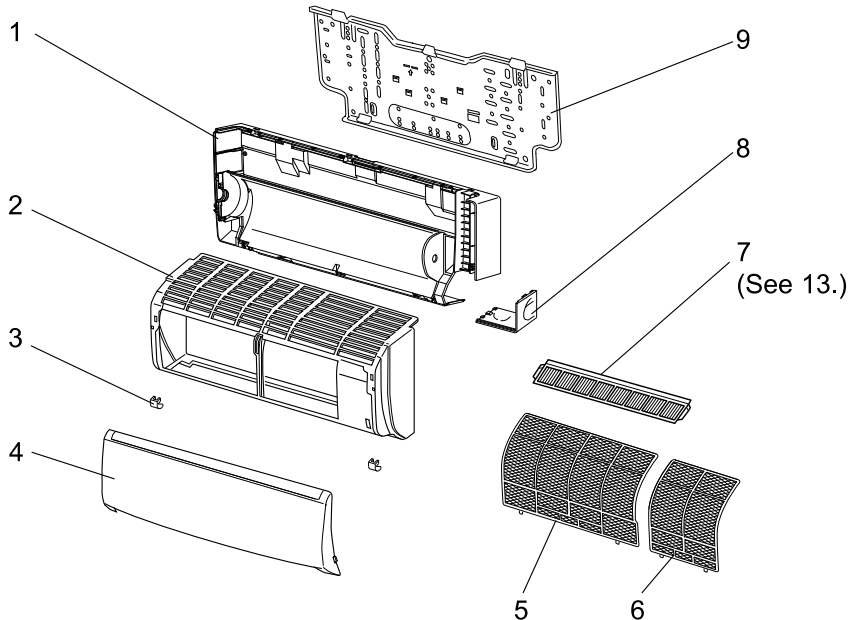


# 12

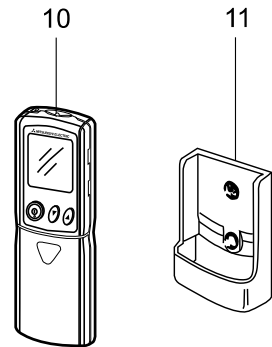
## RoHS PARTS LIST (RoHS compliant)

MSZ-GA22VA  
MSZ-GA25VA  
MSZ-GA35VA

### 12-1. INDOOR UNIT STRUCTURAL PARTS



### 12-2. ACCESSORY AND REMOTE CONTROLLER



### 12-1. INDOOR UNIT STRUCTURAL PARTS

No.	RoHS	Part No.	Part name	Symbol in Wiring Diagram	Q'ty/unit						Remarks
					MSZ-GA22VA-		MSZ-GA25VA-		MSZ-GA35VA-		
					E2	E3	E2	E3	E2	E3	
1	G	E12 A32 234	BOX		1	1	1	1	1	1	
2	G	E12 915 000	PANEL ASSEMBLY		1	1	1	1	1	1	Including No.3,4
3	G	E12 913 067	SCREW CAP		2	2	2	2	2	2	2PCS/SET
4	G	E12 915 010	FRONT PANEL		1	1	1	1	1	1	
5	G	E12 915 100	CATECHIN AIR FILTER (LEFT)		1	1	1	1	1	1	
6	G	E12 916 100	CATECHIN AIR FILTER (RIGHT)		1	1	1	1	1	1	
7	G	—————	AIR CLEANING FILTER		1	1	1	1	1	1	MAC-415FT-E
8	G	E12 A32 975	CORNER BOX (RIGHT)		1	1	1	1	1	1	
9	G	E12 913 970	INSTALLATION PLATE		1	1	1	1	1	1	

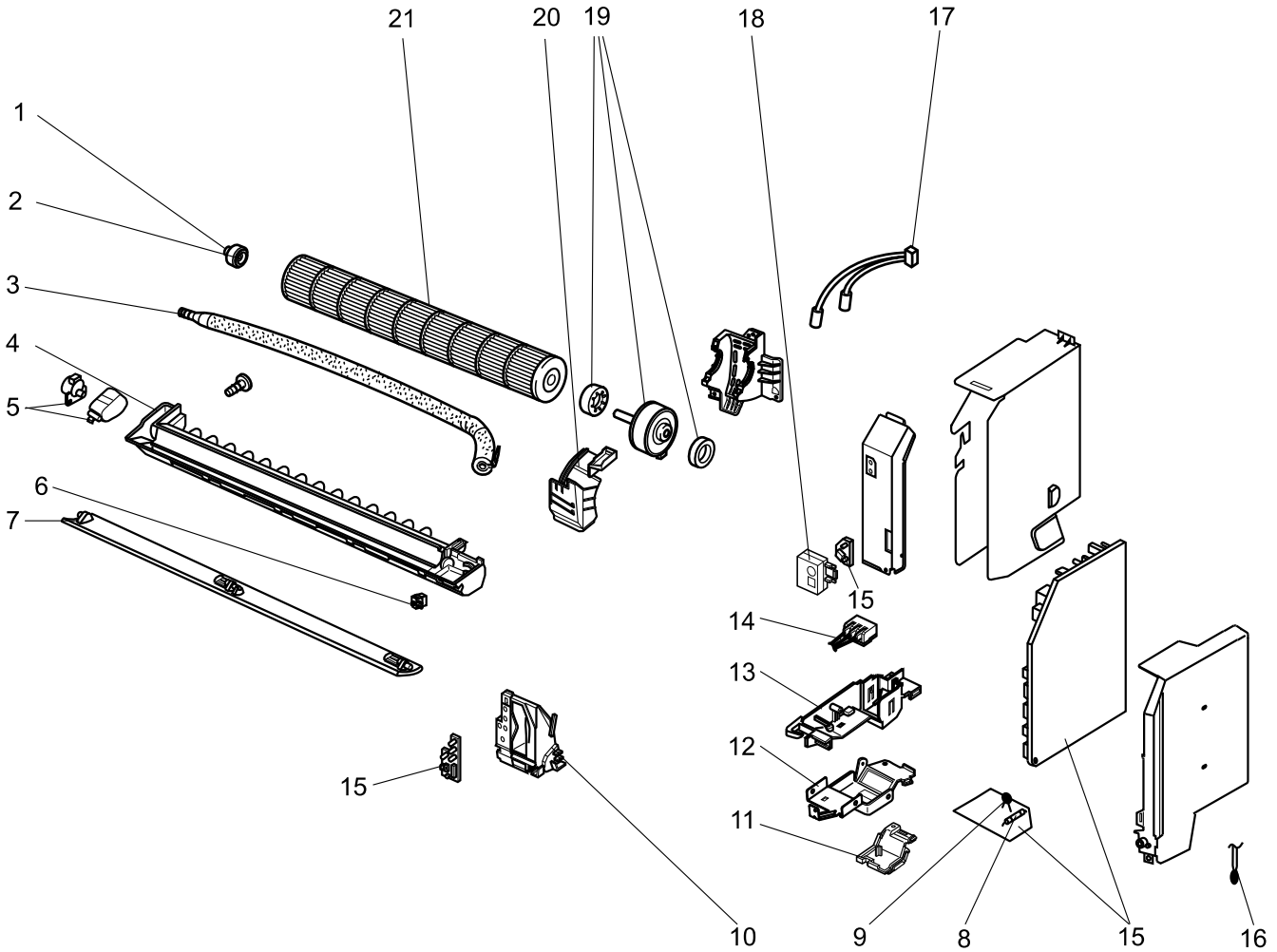
### 12-2. ACCESSORY AND REMOTE CONTROLLER

10	G	E12 915 426	REMOTE CONTROLLER		1	1	1	1	1	1	KM05B
11	G	E12 527 083	REMOTE CONTROLLER HOLDER		1	1	1	1	1	1	

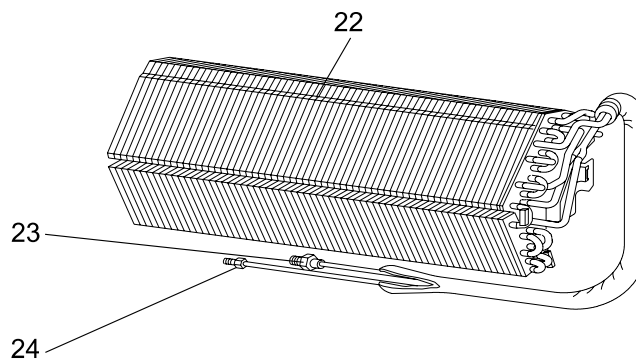
# RoHS PARTS LIST (RoHS compliant)

MSZ-GA22VA  
MSZ-GA25VA  
MSZ-GA35VA

## 12-3. INDOOR UNIT ELECTRICAL PARTS AND FUNCTIONAL PARTS



## 12-4. INDOOR UNIT HEAT EXCHANGER



# RoHS PARTS LIST (RoHS compliant)

## 12-3. INDOOR UNIT ELECTRICAL PARTS AND FUNCTIONAL PARTS

No.	RoHS	Part No.	Part name	Symbol in Wiring Diagram	Q'ty/unit						Remarks
					MSZ-GA22VA-		MSZ-GA25VA-		MSZ-GA35VA-		
					E2	E3	E2	E3	E2	E3	
1	G	E12 751 509	BEARING MOUNT		1	1	1	1	1	1	
2	G	E12 001 504	SLEEVE BEARING		1	1	1	1	1	1	
3	G	E12 897 702	DRAIN HOSE		1	1	1	1	1	1	
4	G	E12 915 235	NOZZLE ASSEMBLY		1	1	1	1	1	1	
5	G	E12 897 303	VANE MOTOR UNIT (HORIZONTAL)	MV	1	1	1	1	1	1	UP & DOWN
6	G	E12 897 316	INTERLOCK SWITCH(FAN)		1	1	1	1	1	1	
7	G	E12 913 040	HORIZONTAL VANE		1	1	1	1	1	1	
8	G	E12 A49 382	FUSE	F11	1	1	1	1	1	1	T3.15AL250V
9	G	E12 661 385	VARISTOR	NR11	1	1	1	1	1	1	
10	G	E12 915 095	POWER MONITOR RECEIVER P.C. BOARD HOLDER		1	1	1	1	1	1	
11	G	E12 897 784	V.A. CLAMP		1	1	1	1	1	1	
12	G	E12 897 780	TERMINAL BLOCK COVER		1	1	1	1	1	1	
13	G	E12 897 779	TERMINAL BLOCK HOLDER		1	1	1	1	1	1	
14	G	E12 913 375	TERMINAL BLOCK	TB	1	1	1	1	1	1	
15	G	E12 916 452	ELECTRONIC CONTROL P.C. BOARD *1				1 *3				AUTO RESTART
	G	E12 B39 452	ELECTRONIC CONTROL P.C. BOARD *1		1	1					AUTO RESTART
	G	E12 B40 452	ELECTRONIC CONTROL P.C. BOARD *1				1 *4	1			AUTO RESTART
	G	E12 B41 452	ELECTRONIC CONTROL P.C. BOARD *1						1	1	AUTO RESTART
16	G	E12 897 308	ROOM TEMPERATURE THERMISTOR	RT11	1	1	1	1	1	1	
17	G	E12 913 307	INDOOR COIL THERMISTOR	RT12, RT13	1	1	1	1	1	1	
18	G	E12 915 782	SWITCH HOLDER		1	1	1	1	1	1	
19	G	E12 915 300	INDOOR FAN MOTOR *2	MF	1	1	1	1	1	1	RC0J30- □ □
20	G	E12 897 333	MOTOR BAND		1	1	1	1	1	1	
21	G	E12 897 302	LINE FLOW FAN		1	1	1	1	1	1	

\*1 Including SW P.C. BOARD and POWER MONITOR RECEIVER P.C. BOARD

\*2 Including FAN MOTOR RUBBER MOUNT (2 PCS/SET)

\*3 Serial number : ~6024700

\*4 Serial number : 6024701~

Refer to 3.SPECIFICATION as for difference between \*3 and \*4.

## 12-4. INDOOR UNIT HEAT EXCHANGER

22	G	E12 913 620	INDOOR HEAT EXCHANGER		1	1	1	1	1	1	
23	G	E12 815 666	UNION (GAS)		1	1	1	1	1	1	φ9.52
24	G	E12 151 667	UNION (LIQUID)		1	1	1	1	1	1	φ6.35