

**Revision C:**

• MSZ-SF25/35/42/50VE- **ER2** have been added.

Please void OBH600 REVISED EDITION-B.

# INDOOR UNIT PARTS CATALOG

**No. OBB600  
REVISED EDITION-C**

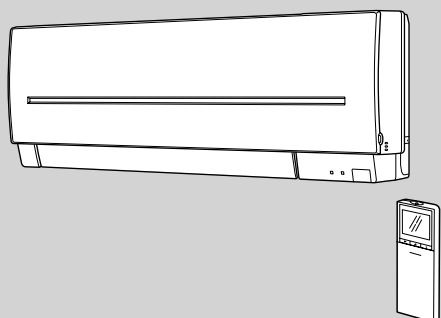
## Models

**MSZ-SF25VE** - **E1**, **E2**, **EN1**, **EN2**, **ER2**

**MSZ-SF35VE** - **E1**, **E2**, **EN1**, **EN2**, **ER2**

**MSZ-SF42VE** - **E1**, **E2**, **EN1**, **EN2**, **ER2**

**MSZ-SF50VE** - **E1**, **E2**, **EN1**, **EN2**, **ER2**



## CONTENTS

1. RoHS PARTS LIST..... 2
2. OPTIONAL PARTS.....11

**SERVICE MANUAL (OBH600)**

**NOTE:**

RoHS compliant products have <G> mark on the spec name plate.

### Revision A:

• Part number of "INDOOR COIL THERMISTOR" has been changed.

### Revision B:

• MSZ-SF25/35/42/50VE- [E2] and MSZ-SF25/35/42/50VE- [EN2] have been added.

### Revision C:

• MSZ-SF25/35/42/50VE- [ER2] have been added.

## 1

## RoHS PARTS LIST

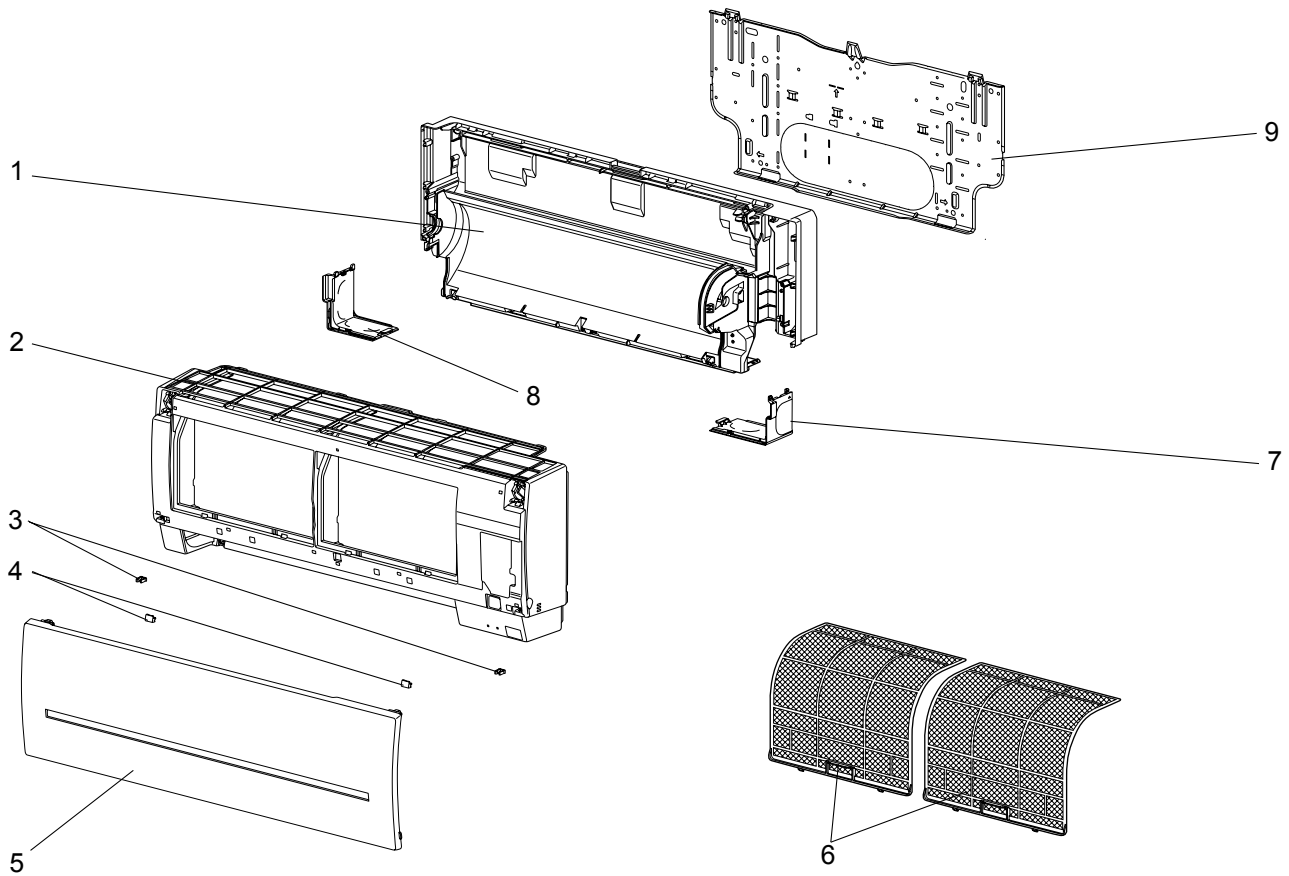
MSZ-SF25VE- [E1], [E2], [EN1], [EN2]

MSZ-SF35VE- [E1], [E2], [EN1], [EN2]

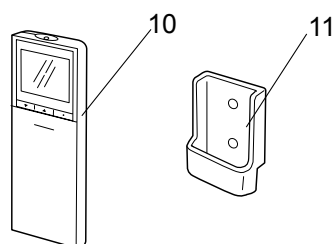
MSZ-SF42VE- [E1], [E2], [EN1], [EN2]

MSZ-SF50VE- [E1], [E2], [EN1], [EN2]

### 1-1. INDOOR UNIT STRUCTURAL PARTS



### 1-2. ACCESSORY AND REMOTE CONTROLLER



# RoHS PARTS LIST

## 1-1. INDOOR UNIT STRUCTURAL PARTS

No.	RoHS	Part No.	Part name	Symbol in Wiring Diagram	Q'ty/unit																Remarks
					MSZ-SF																
					25				35				42				50				
					VE	VE	VE	VE	VE	VE	VE	VE	VE	VE	VE	VE	VE	VE	VE	VE	
-E1	-E2	-EN1	-EN2	-E1	-E2	-EN1	-EN2	-E1	-E2	-EN1	-EN2	-E1	-E2	-EN1	-EN2						
1	G	E12 H14 234	BOX ASSEMBLY		1	1	1	1	1	1	1	1	1	1	1	1	1	1	1	1	
2	G	E12 H14 000	PANEL ASSEMBLY		1	1	1	1	1	1	1	1	1	1	1	1	1	1	1	1	Including No. 3,4,5
3	G	E12 F95 142	CATCH		2	2	2	2	2	2	2	2	2	2	2	2	2	2	2	2	2 PCS/SET
4	G	E12 913 067	SCREW CAP		2	2	2	2	2	2	2	2	2	2	2	2	2	2	2	2	2 PCS/SET
5	G	E12 H14 010	FRONT PANEL		1	1	1	1	1	1	1	1	1	1	1	1	1	1	1	1	
6	G	E12 H14 100	NANO PLATINUM FILTER		2	2	2	2	2	2	2	2	2	2	2	2	2	2	2	2	1 PC/SET
7	G	E12 H14 975	CORNER BOX RIGHT		1	1	1	1	1	1	1	1	1	1	1	1	1	1	1	1	
8	G	E12 H14 976	CORNER BOX LEFT		1	1	1	1	1	1	1	1	1	1	1	1	1	1	1	1	
9	G	E12 H14 970	INSTALLATION PLATE		1	1	1	1	1	1	1	1	1	1	1	1	1	1	1	1	

## 1-2. ACCESSORY AND REMOTE CONTROLLER

10	G	E12 F95 426	REMOTE CONTROLLER		1	1	1	1	1	1	1	1	1	1	1	1	1	1	1	1	SG11D
11	G	E12 F28 083	REMOTE CONTROLLER HOLDER		1	1	1	1	1	1	1	1	1	1	1	1	1	1	1	1	

# RoHS PARTS LIST

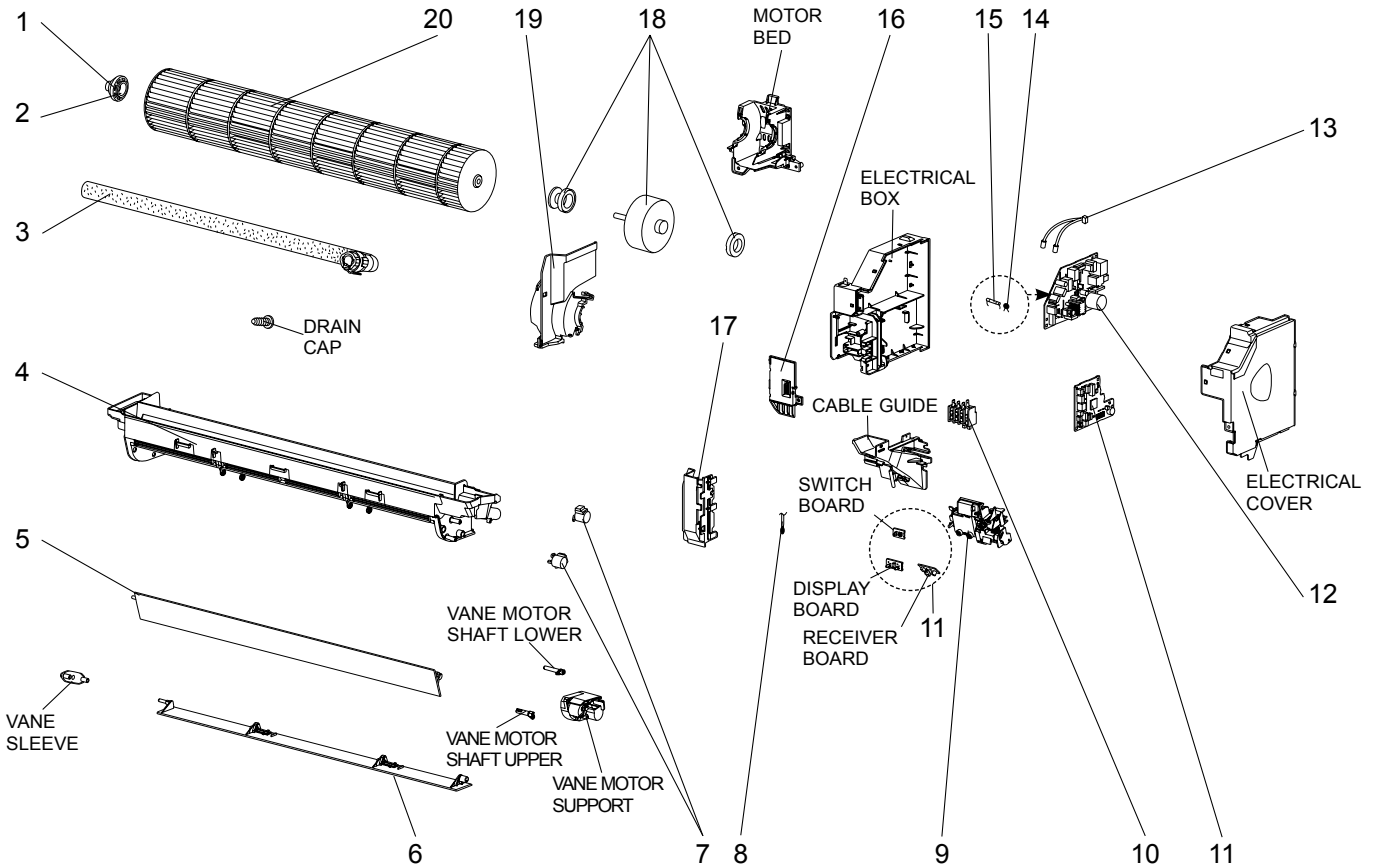
MSZ-SF25VE- E1, E2, EN1, EN2

MSZ-SF35VE- E1, E2, EN1, EN2

MSZ-SF42VE- E1, E2, EN1, EN2

MSZ-SF50VE- E1, E2, EN1, EN2

## 1-3. INDOOR UNIT ELECTRICAL PARTS AND FUNCTIONAL PARTS



# RoHS PARTS LIST

## 1-3. INDOOR UNIT ELECTRICAL PARTS AND FUNCTIONAL PARTS

No.	RoHS	Part No.	Part name	Symbol in Wiring Diagram	Q'ty/unit																Remarks
					MSZ-SF																
					25				35				42				50				
VE	VE	VE	VE	VE	VE	VE	VE	VE	VE	VE	VE	VE	VE	VE	VE	VE	VE	VE	VE		
-E1	-E2	-EN1	-EN2	-E1	-E2	-EN1	-EN2	-E1	-E2	-EN1	-EN2	-E1	-E2	-EN1	-EN2	-E1	-E2	-EN1	-EN2		
1	G	E12 751 509	BEARING MOUNT		1	1	1	1	1	1	1	1	1	1	1	1	1	1	1		
2	G	E12 001 504	SLEEVE BEARING		1	1	1	1	1	1	1	1	1	1	1	1	1	1	1		
3	G	E12 897 702	DRAIN HOSE		1	1	1	1	1	1	1	1	1	1	1	1	1	1	1		
4	G	E12 H14 235	NOZZLE ASSEMBLY		1	1	1	1	1	1	1	1	1	1	1	1	1	1	1		
5	G	E12 H14 040	VANE UPPER		1	1	1	1	1	1	1	1	1	1	1	1	1	1	1		
6	G	E12 H14 041	VANE LOWER		1	1	1	1	1	1	1	1	1	1	1	1	1	1	1		
7	G	E12 A89 303	VANE MOTOR	MV	2	2	2	2	2	2	2	2	2	2	2	2	2	2	2	UP & DOWN, 1 PC/SET	
8	G	E12 H14 308	ROOM TEMPERATURE THERMISTOR	RT11	1	1	1	1	1	1	1	1	1	1	1	1	1	1	1		
9	G	E12 H14 095	DISPLAY P.C. BOARD HOLDER ASSEMBLY		1	1	1	1	1	1	1	1	1	1	1	1	1	1	1		
10	G	E12 F95 375	TERMINAL BLOCK	TB	1	1	1	1	1	1	1	1	1	1	1	1	1	1	1		
11	G	E12 H14 452	ELECTRONIC CONTROL P.C. BOARD ※1		1		1														
	G	E12 J53 452				1		1													
	G	E12 H15 452						1		1											
	G	E12 J54 452								1		1									
	G	E12 H16 452										1		1							
	G	E12 J55 452												1		1					
	G	E12 H17 452														1		1			
12	G	E12 H14 440	POWER P.C. BOARD		1		1					1		1							
	G	E12 J53 440				1		1					1		1						
	G	E12 H15 440						1		1					1		1				
	G	E12 J55 440								1		1					1		1		
13	G	E12 H14 307	INDOOR COIL THERMISTOR	RT12,RT13	1	1	1	1	1	1	1	1	1	1	1	1	1	1	1		
14	G	E12 B75 385	VARISTOR	NR11	1	1	1	1	1	1	1	1	1	1	1	1	1	1	1		
15	G	E12 A49 382	FUSE	F11	1	1	1	1	1	1	1	1	1	1	1	1	1	1	1	T3.15AL250V	
16	G	E12 F95 784	V.A. CLAMP		1	1	1	1	1	1	1	1	1	1	1	1	1	1	1		
17	G	E12 H14 541	WATER CUT ASSEMBLY		1	1	1	1	1	1	1	1	1	1	1	1	1	1	1		
18	G	E12 H14 300	INDOOR FAN MOTOR ※2	MF	1	1	1	1	1	1	1	1	1	1	1	1	1	1	1	RC0J21-□□	
19	G	E12 F95 333	MOTOR BAND		1	1	1	1	1	1	1	1	1	1	1	1	1	1	1		
20	G	E12 H14 302	LINE FLOW FAN		1	1	1	1	1	1	1	1	1	1	1	1	1	1	1		

※1 Including RECEIVER BOARD, DISPLAY BOARD and SWITCH BOARD.

※2 Including FAN MOTOR RUBBER MOUNT (2 PCS/SET)

# RoHS PARTS LIST

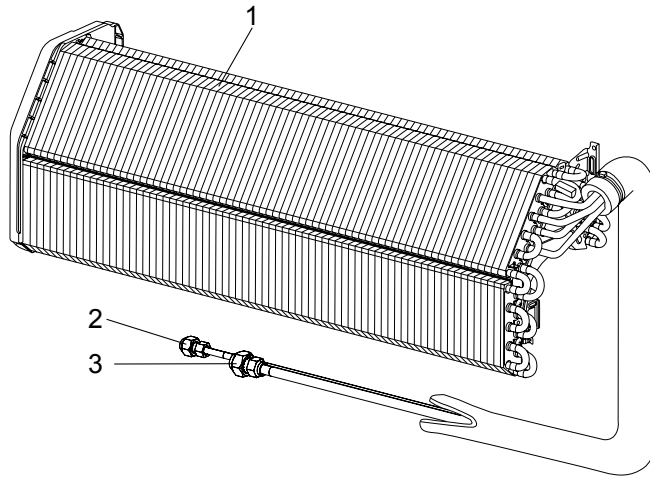
MSZ-SF25VE-  E1,  E2,  EN1,  EN2

MSZ-SF35VE-  E1,  E2,  EN1,  EN2

MSZ-SF42VE-  E1,  E2,  EN1,  EN2

MSZ-SF50VE-  E1,  E2,  EN1,  EN2

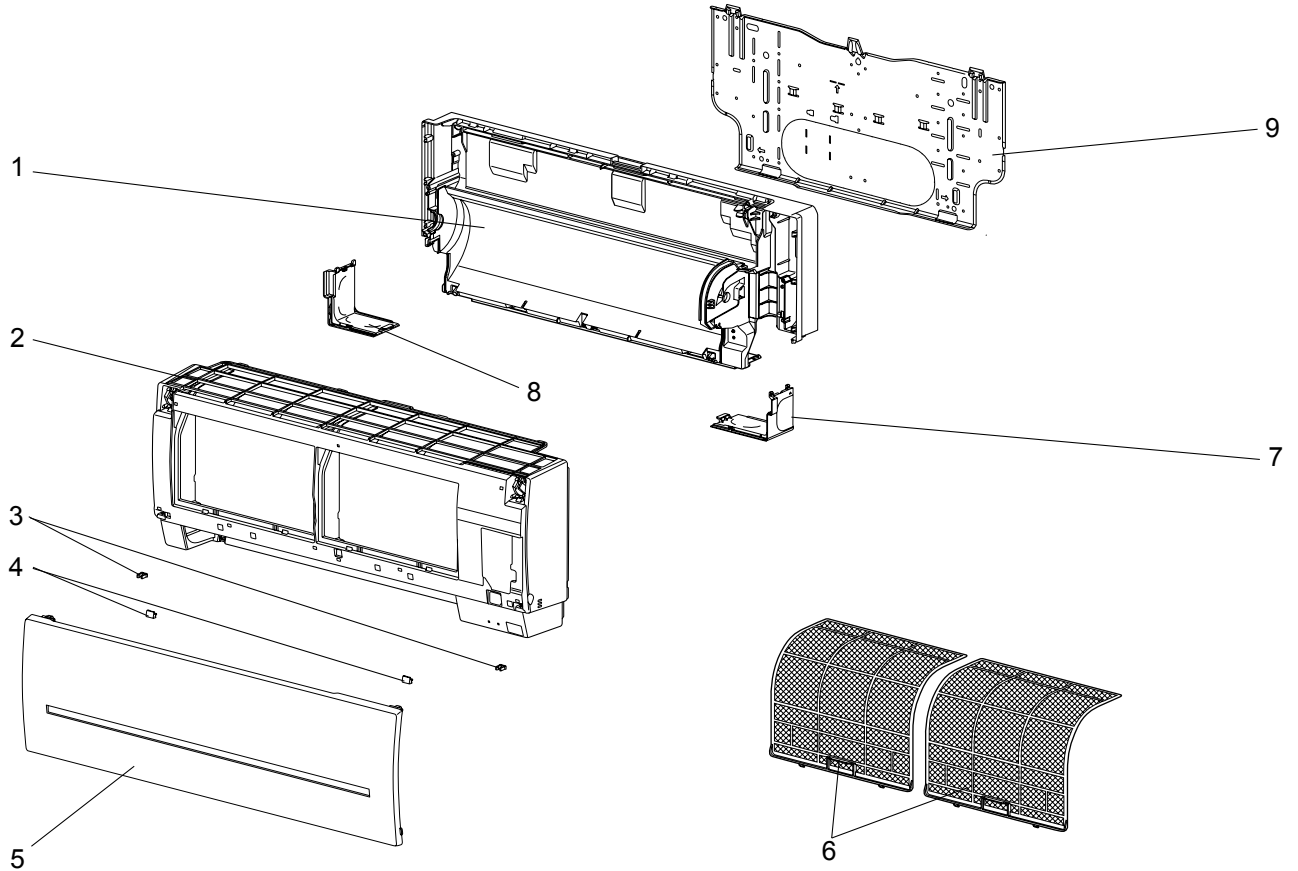
## 1-4. INDOOR UNIT HEAT EXCHANGER



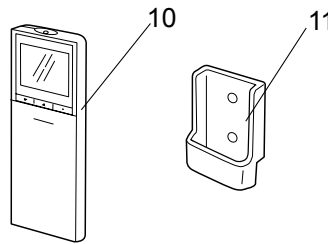
No.	RoHS	Part No.	Part name	Symbol in Wiring Diagram	Q'ty/unit																Remarks
					MSZ-SF																
					25				35				42				50				
VE	VE	VE	VE	VE	VE	VE	VE	VE	VE	VE	VE	VE	VE	VE	VE						
-E1	-E2	-EN1	-EN2	-E1	-E2	-EN1	-EN2	-E1	-E2	-EN1	-EN2	-E1	-E2	-EN1	-EN2						
1	G	E12 H14 620	INDOOR HEAT EXCHANGER		1	1			1	1			1	1							
	G	E12 H90 620					1	1			1	1			1	1					
	G	E12 H17 620													1	1					
	G	E12 H93 620														1	1				
2	G	E12 151 667	UNION (LIQUID)		1	1	1	1	1	1	1	1	1	1	1	1	1	1	1	1	ø6.35
3	G	E12 815 666	UNION (GAS)		1	1	1	1	1	1	1	1	1	1	1	1					ø9.52
	G	E12 155 666													1	1	1	1	1	1	ø12.7

MSZ-SF25VE-<sup>ER2</sup> MSZ-SF35VE-<sup>ER2</sup> MSZ-SF42VE-<sup>ER2</sup> MSZ-SF50VE-<sup>ER2</sup>

**1-5. INDOOR UNIT STRUCTURAL PARTS**



**1-6. ACCESSORY AND REMOTE CONTROLLER**



**1-5. INDOOR UNIT STRUCTURAL PARTS**

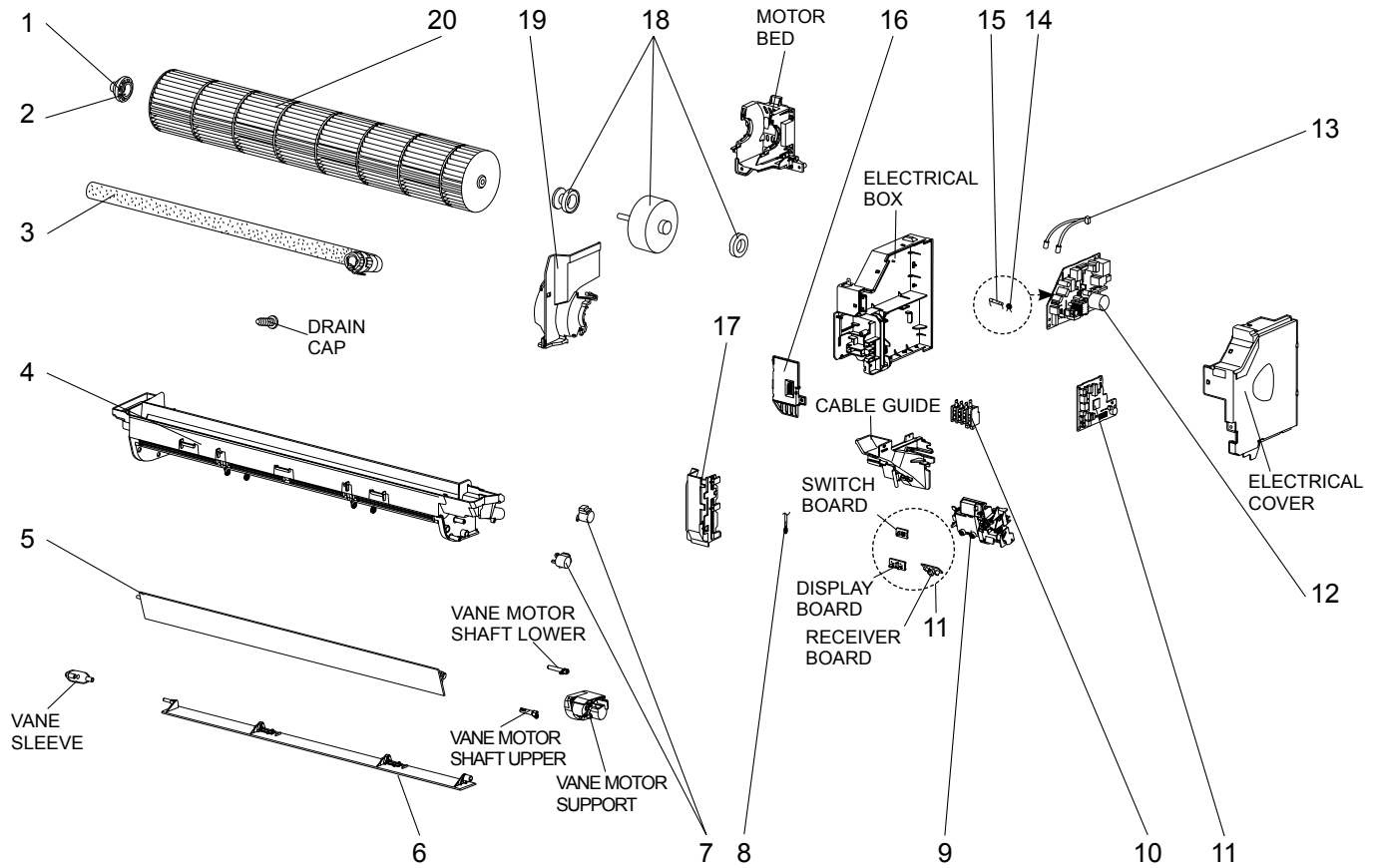
No.	ROHS	Part No.	Part name	Symbol in Wiring Diagram	Q'ty/unit				Remarks
					MSZ-SF				
					25VE - <sup>ER2</sup>	35VE - <sup>ER2</sup>	42VE - <sup>ER2</sup>	50VE - <sup>ER2</sup>	
1	G	E12 H14 234	BOX ASSEMBLY		1	1	1	1	
2	G	E12 H14 000	PANEL ASSEMBLY		1	1	1	1	Including No. 3,4,5
3	G	E12 F95 142	CATCH		2	2	2	2	2 PCS/SET
4	G	E12 913 067	SCREW CAP		2	2	2	2	2 PCS/SET
5	G	E12 H14 010	FRONT PANEL		1	1	1	1	
6	G	E12 H14 100	NANO PLATINUM FILTER		2	2	2	2	1 PC/SET
7	G	E12 H14 975	CORNER BOX RIGHT		1	1	1	1	
8	G	E12 H14 976	CORNER BOX LEFT		1	1	1	1	
9	G	E12 H14 970	INSTALLATION PLATE		1	1	1	1	

**1-6. ACCESSORY AND REMOTE CONTROLLER**

10	G	E12 F95 426	REMOTE CONTROLLER		1	1	1	1	SG11D
11	G	E12 F28 083	REMOTE CONTROLLER HOLDER		1	1	1	1	

MSZ-SF25VE-ER2 MSZ-SF35VE-ER2 MSZ-SF42VE-ER2 MSZ-SF50VE-ER2

### 1-7. INDOOR UNIT ELECTRICAL PARTS AND FUNCTIONAL PARTS





## 1-7. INDOOR UNIT ELECTRICAL PARTS AND FUNCTIONAL PARTS

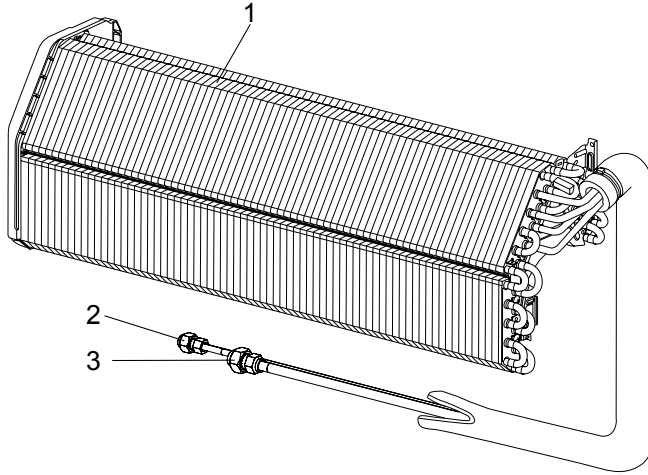
No.	ROHS	Part No.	Part name	Symbol in Wiring Diagram	Q'ty/unit				Remarks
					MSZ-SF				
					25VE - ER2	35VE - ER2	42VE - ER2	50VE - ER2	
1	G	E12 751 509	BEARING MOUNT		1	1	1	1	
2	G	E12 001 504	SLEEVE BEARING		1	1	1	1	
3	G	E12 897 702	DRAIN HOSE		1	1	1	1	
4	G	E12 H14 235	NOZZLE ASSEMBLY		1	1	1	1	
5	G	E12 H14 040	VANE UPPER		1	1	1	1	
6	G	E12 H14 041	VANE LOWER		1	1	1	1	
7	G	E12 A89 303	VANE MOTOR	MV	2	2	2	2	UP & DOWN, 1 PC/SET
8	G	E12 H14 308	ROOM TEMPERATURE THERMISTOR	RT11	1	1	1	1	
9	G	E12 H14 095	DISPLAY P.C. BOARD HOLDER ASSEMBLY		1	1	1	1	
10	G	E12 F95 375	TERMINAL BLOCK	TB	1	1	1	1	
11	G	E12 J53 452	ELECTRONIC CONTROL P.C. BOARD ※1		1				
	G	E12 J54 452				1			
	G	E12 J55 452					1		
	G	E12 J56 452						1	
12	G	E12 J53 440	POWER P.C. BOARD		1		1		
	G	E12 J55 440				1		1	
13	G	E12 H14 307	INDOOR COIL THERMISTOR	RT12,RT13	1	1	1	1	
14	G	E12 B75 385	VARISTOR	NR11	1	1	1	1	
15	G	E12 A49 382	FUSE	F11	1	1	1	1	T3.15AL250V
16	G	E12 F95 784	V.A. CLAMP		1	1	1	1	
17	G	E12 H14 541	WATER CUT ASSEMBLY		1	1	1	1	
18	G	E12 H14 300	INDOOR FAN MOTOR ※2	MF	1	1	1	1	RC0J21-□□
19	G	E12 F95 333	MOTOR BAND		1	1	1	1	
20	G	E12 H14 302	LINE FLOW FAN		1	1	1	1	

※1 Including RECEIVER BOARD, DISPLAY BOARD and SWITCH BOARD.

※2 Including FAN MOTOR RUBBER MOUNT (2 PCS/SET)

**MSZ-SF25VE-<sup>ER2</sup> MSZ-SF35VE-<sup>ER2</sup> MSZ-SF42VE-<sup>ER2</sup> MSZ-SF50VE-<sup>ER2</sup>**

**1-8. INDOOR UNIT HEAT EXCHANGER**



No.	RoHS	Part No.	Part name	Symbol in Wiring Diagram	Q'ty/unit				Remarks
					MSZ-SF				
					25VE	35VE	42VE	50VE	
					- <sup>ER2</sup>	- <sup>ER2</sup>	- <sup>ER2</sup>	- <sup>ER2</sup>	
1	G	E12 H14 620	INDOOR HEAT EXCHANGER		1	1	1		
	G	E12 H17 620						1	
2	G	E12 151 667	UNION (LIQUID)		1	1	1	1	ø6.35
3	G	E12 815 666	UNION (GAS)		1	1	1		ø9.52
	G	E12 155 666						1	ø12.7

**2-1. AIR CLEANING FILTER (ELECTROSTATIC ANTI-ALLERGY ENZYME FILTER)****Every 3 months:**

- Remove dirt by a vacuum cleaner.

**When dirt cannot be removed by vacuum cleaning:**

- Soak the filter and its frame in lukewarm water before rinsing it.
- After washing, dry it well in shade. Install all tabs of the air filter.

**Every year:**

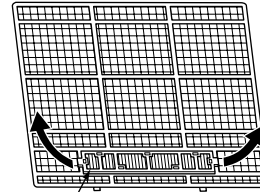
- Replace it with a new air cleaning filter for best performance.

**NOTE 1:** Clean the filters regularly for best performance and to reduce power consumption.

**NOTE 2:** Dirty filters cause condensation in the air conditioner which will contribute to the growth of fungi such as mold. It is therefore recommended to clean air filters every 2 weeks.

Model	Part No.
MSZ-SF25VE	MAC-2320FT
MSZ-SF35VE	
MSZ-SF42VE	
MSZ-SF50VE	

Pull to remove from the air filter



**Air cleaning filter  
(Electrostatic anti-allergy enzyme filter)**

# **MITSUBISHI ELECTRIC CORPORATION**

HEAD OFFICE: TOKYO BLDG., 2-7-3, MARUNOUCHI, CHIYODA-KU, TOKYO 100-8310, JAPAN

© Copyright 2011 MITSUBISHI ELECTRIC CORPORATION  
Distributed in Dec. 2013. No.OBB600 REVISED EDITION-C  
Distributed in Nov. 2012. No.OBB600 REVISED EDITION-B  
Distributed in Jan. 2012. No.OBB600 REVISED EDITION-A  
Distributed in Nov. 2011. No.OBB600  
Made in Japan

New publication, effective Dec. 2013  
Specifications are subject to change without notice.